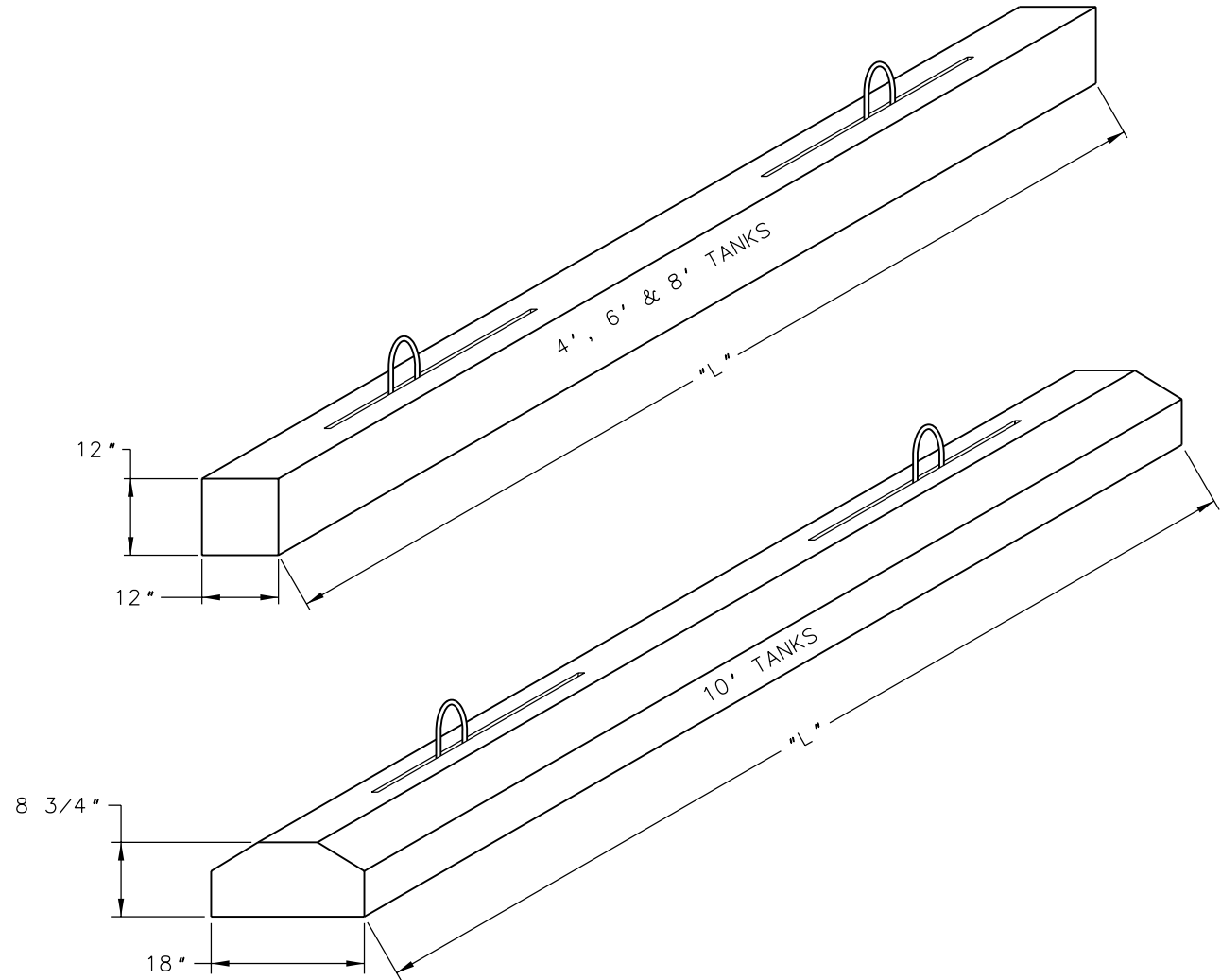


# XERXES DEADMAN

TANK SIZE	QTY	"L"	APPROX. WEIGHT EACH
4'-600	2	12'	1,800 LBS
4'-1,000	2	12'	1,800 LBS
6'-2,000	2	12'	1,800 LBS
6'-3,000	2	16'	2,400 LBS
6'-4,000	2	18'	2,700 LBS
6'-5,000	4	12'	1,800 LBS
6'-6,000	4	16'	2,400 LBS
8'-3,000	2	12'	1,800 LBS
8'-4,000	2	12'	1,800 LBS
8'-5,000	2	16'	2,400 LBS
8'-6,000	2	18'	2,700 LBS
8'-8,000	4	12'	1,800 LBS
8'-10,000	4	16'	2,400 LBS
8'-12,000	4	18'	2,700 LBS
8'-15,000	6	16'	2,400 LBS
10'-10,000	2	22'	3,000 LBS
10'-12,000	2	22'	3,000 LBS
10'-15,000	4	14'	1,900 LBS
10'-20,000	4	18'	2,400 LBS
10'-25,000	4	14'	1,900 LBS
10'-30,000	2	18'	2,400 LBS
10'-35,000	4	22'	3,000 LBS
10'-40,000	8	18'	2,400 LBS



## XERXES PRECAST DEADMEN

- XERXES DEADMEN ARE ENGINEERED AND DESIGNED TO BE USED WITH XERXES TANKS.
- IN MULTIPLE TANK INSTALLATIONS, EACH TANK REQUIRES ITS OWN SET OF DEADMEN.
- FOR CAST IN PLACE OR DEADMAN CONSTRUCTED OFF SITE, REFER TO XERXES INSTALLATION MANUAL AND OPERATING GUIDELINES FOR PROPER SIZING AND ANCHOR POINT SPECIFICATIONS.

**XERXES**<sup>®</sup>  
CORPORATION

TITLE  
**DEADMEN**

DATE 3-05 DR. NO. S11-376.00