



Rodney Hunt
A ZURN Company
Sluice Gate Dimensions

SLUICE GATE

Dimensions



Presented in this brochure are the actual dimensions for sluice gates that are suitable for the design head listed.

The sluice gates listed are not the only sluice gates available from Rodney Hunt, but are the most common sizes and design heads. For information on sluice gates not listed, please contact the Rodney Hunt representative in your area, or call us directly at 978-544-2511.

Design Head Vs. Operating Head

The design head is the maximum head the gate has been designed to withstand.

The operating head is the head under which the gate is to be opened and closed. The operating head is used to determine the size of hoist and stem that is required to operate the gate and should be listed in the project specifications in addition to the design heads.

How to specify

Because of the number of gates involved, the heads for which these gates are suitable, and the several configurations in which the gate can be furnished, the best way to describe the sluice gate is by size of gate and the head for which it is designed, such as 60" x 72", 130-45. Special series gates should be described by size and series number, such as 8 x 8 Series B-240.

General Notes

The dimensions listed are the actual dimensions, to the nearest 1/4", of the size of gate listed, and the head for which that gate is designed. Rodney Hunt will furnish the gate shown in the table for all applications where the head is equal to or less than the design head indicated.

In some instances, several gates are listed for the same size, but with different design heads. This has been done to enable Rodney Hunt to provide the most economically designed gate for the specific design head application.

Installation Clearance

All sluice gates listed in the tables can be installed where the installation clearance along each side and along the bottom of the gate is 1". The flanges of the gate can be drilled so that the attaching studs extend to the front of the gate where they are easily accessible.

Where flange frame gates are required, such as where the gate must be mounted on a circular pipe flange, the recommended installation clearance is 8" on each side and beneath the bottom of the gate.

SLUICE GATE

Dimensions



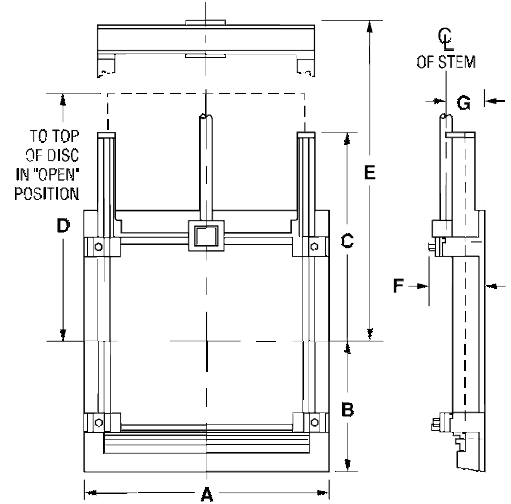
Sluice Gates

Sizes 6" - 8" - 10" - 12" - 14" - 15" - 16" - 18" - 20" - 24" - 30"

SIZE	DESIGN HEAD FT.		DIMENSION						
	WIDTH x HEIGHT INCHES (MILLIMETERS)	SEAT	UNSEAT	A	B	C	D	E	F
6 x 6 (150 x 150)	120	75	14 (356)	6 (152)	15-1/2 (394)	15 (381)	17 (432)	5-1/4 (133)	3 (76)
8 x 8 (200 x 200)	120	69	16 (406)	7 (178)	18-1/2 (470)	18 (457)	20 (508)	5-1/4 (133)	3 (76)
10 x 10 (250 x 250)	96	44	18 (457)	8 (203)	21-1/2 (546)	21 (533)	23 (584)	5-1/4 (133)	3 (76)
12 x 12 (300 x 300)	139	62	20 (508)	9 (229)	14 (356)	25 (635)	28-1/4 (718)	6-1/4 (159)	3 (76)
12 x 18 (300 x 450)	150	75	20 (508)	14 (356)	20 (508)	32-3/4 (832)	36-3/4 (933)	8-1/2 (216)	6 (152)
12 x 24 (300 x 600)	150	75	20 (508)	17 (432)	26 (660)	41-3/4 (1060)	49 (1245)	8-1/2 (216)	6 (152)
14 x 14 (350 x 350)	133	45	22 (559)	10 (254)	29 (737)	28 (711)	31 1/4 (794)	6 3/4 (171)	3 3/4 (95)
15 x 15 (375 x 375)	114	40	23 (584)	10-1/2 (267)	30-1/2 (775)	29-1/2 (749)	32-3/4 (832)	6-3/4 (171)	3-3/4 (95)
16 x 16 (400 x 400)	96	35	24 (610)	11 (279)	32 (813)	31 (787)	34-1/4 (870)	6-3/4 (171)	3-3/4 (95)
18 x 12 (450 x 300)	62	41	28 (711)	11 (279)	14 (356)	23-3/4 (603)	27-3/4 (705)	8-1/2 (216)	5-3/4 (146)
18 x 18 (450 x 450)	74	54	28 (711)	14 (356)	20 (508)	32-3/4 (832)	36-3/4 (933)	8-1/2 (216)	5-3/4 (146)
18 x 24 (450 x 600)	107	73	28 (711)	17 (432)	26 (711)	41-3/4 (1060)	45-3/4 (1162)	8-1/2 (216)	6 (152)
18 x 30 (450 x 750)	150	58	28 (711)	20 (508)	32 (813)	50-3/4 (1289)	54-3/4 (1391)	9 (229)	6 (152)
18 x 36 (450 x 900)	70	58	28 (711)	23 (584)	38 (965)	59-3/4 (1518)	63-3/4 (1619)	9 (229)	6 (152)
20 x 20 (500 x 500)	70	55	30 (762)	15 (381)	21 (533)	35-3/4 (908)	41-1/2 (1054)	8-1/2 (216)	6 (152)
24 x 12 (600 x 300)	54	41	34 (864)	11 (279)	14 (356)	24 (610)	31 (787)	8-1/2 (216)	6 (152)
24 x 18 (600 x 450)	60	55	34 (864)	14 (356)	20 (508)	33 (838)	40 (1016)	8-1/2 (216)	6 (152)
24 x 24 (600 x 600)	60	55	34 (864)	17 (432)	26 (660)	42 (1067)	49 (1245)	8-1/2 (216)	6-1/4 (159)
24 x 30 (600 x 750)	53	31	34 (864)	20 (508)	32 (813)	51 (1295)	58-1/4 (1480)	9-1/4 (235)	6-1/4 (159)
24 x 36 (600 x 900)	45	41	34 (864)	23 (584)	38 (965)	60 (1524)	67-3/4 (1721)	9-1/2 (235)	6-1/4 (159)
24 x 42 (600 x 1050)	84	47	35-1/2 (902)	26 (660)	44 (1118)	69 (1753)	82 (2083)	9-1/2 (235)	6 1/4 (159)
24 x 48 (600 x 1200)	78	56	35-1/2 (902)	29 (737)	50 (1270)	78 (1981)	91 (2286)	10 (254)	6-1/4 (159)
30 x 12 (750 x 300)	85	64	40 (1016)	11 (279)	14 (356)	24 (610)	31 (787)	8-1/2 (216)	6 (152)
30 x 18 (750 x 450)	46	43	40 (1016)	14 (356)	20 (508)	33 (838)	40 (1016)	8-1/2 (216)	6 (152)
30 x 24 (750 x 600)	54	29	40 (1016)	17 (432)	26 (660)	42 (1061)	49 (1245)	8-1/2 (216)	6 1/4 (159)
30 x 30 (750 x 750)	60	35	40 (1016)	20 (508)	32 (813)	51 (1295)	58-1/4 (1480)	9-1/4 (235)	6-1/4 (159)
30 x 36 (750 x 900)	60	40	40 (1016)	23 (584)	38 (965)	60 (1524)	67-3/4 (1721)	9-1/2 (241)	6-1/4 (159)
30 x 42 (750 x 1050)	56	38	41-1/2 (1054)	26 (660)	44 (1118)	69 (1753)	82 (2083)	9-1/2 (241)	6-1/4 (159)
30 x 48 (750 x 1200)	52	35	41-1/2 (1054)	29 (737)	50 (1270)	78 (1981)	91 (2311)	10 (254)	6-1/4 (159)

For gates 6 - 24" (150 - 600 mm) to be mounted on pipe flanges, the dimensions "F" and "G" are increased by 2-1/2" (64 mm).

For 30" (750 mm) gates to be mounted on pipe flanges, the dimensions "F" and "G" are increased 3" (76 mm).



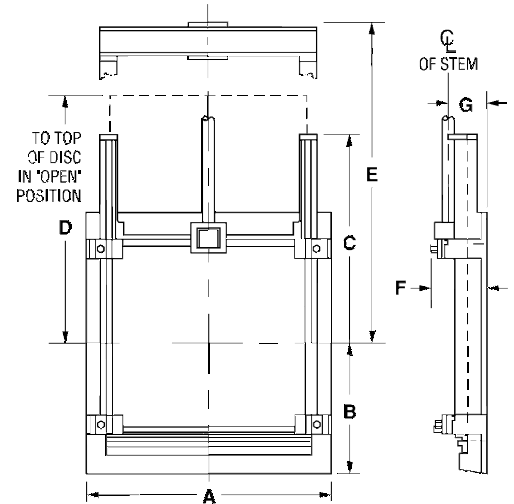
SLUICE GATES

Sizes 36" - 42" - 48"

SIZE	DESIGN HEAD FT.		DIMENSIONS						
	WIDTH x HEIGHT INCHES (MILLIMETERS)	SEAT	UNSEAT	A	B	C	D	E	F
36 x 18 (900 x 450)	88	40	46 (168)	14 (356)	20 (508)	33 (838)	40 (1016)	81/2 (216)	6 (159)
36 x 24 (900 x 600)	82	30	46 (1168)	17 (432)	26 (660)	42 (1067)	49 (1245)	8-1/2 (216)	6-1/4 (210)
36 x 30 (900 x 750)	60	36	46 (1168)	20 (508)	32 (813)	51 (1295)	58-1/4 (1480)	9-1/2 (241)	6-1/4 (210)
36 x 36 (900 x 900)	60	30	46 (1168)	23 (584)	38 (965)	60 (1524)	67-3/4 (1721)	9-1/2 (241)	6-1/4 (210)
36 x 42 (900x1050)	76	43	47-1/2 (1207)	26 (660)	44 (1118)	69 (1753)	82 (2083)	9-1/2 (241)	6-1/4 (210)
36 x 48 (900 x 1200)	65	30	47-1/2 (1207)	29 (737)	50 (1270)	78 (1981)	91 (2311)	10 (254)	6-1/4 (210)
36 x 48 (900 x 1200)	240	95	49-1/2 (1257)	30-3/4 (781)	51-1/2 (1308)	81-1/2 (2070)	93-1/2 (2375)	15-1/4 (387)	9-1/2 (241)
36 x 60 (900 x 1500)	213	84	49-1/2 (1257)	36-3/4 (933)	63-1/2 (1613)	99-1/2 (2527)	111-1/2 (2832)	16-1/2 (419)	9-1/2 (241)
36 x 72 (900 x 1800)	244	10	49-1/2 (1257)	42-3/4 (1086)	75-1/2 (1918)	117-1/2 (2985)	129-1/2 (3289)	16-1/2 (419)	9-1/2 (241)
42 x 24 (1050 x 1050)	90	21	53-1/2 (1359)	17 (432)	26 (660)	42 (1067)	48-1/4 (1226)	8-1/2 (216)	6 (152)
42 x 30 (1050 x 750)	88	25	53-1/2 (1359)	20 (508)	32 (813)	51 (1295)	58-1/4 (1480)	9-1/4 (235)	6-1/4 (210)
42 x 36 (1050 x 900)	88	24	53-1/2 (1359)	23 (584)	38 (965)	60 (1524)	67-3/4 (1721)	9-1/2 (241)	6-1/4 (210)
42 x 42 (1050 x 1050)	87	23	53-1/2 (1359)	26 (660)	44 (1118)	69 (1753)	82 (2083)	9-1/2 (241)	6-1/4 (210)
42 x 48 (1050 x 1200)	80	20	53-1/2 (1359)	29 (737)	50 (1270)	78 (1981)	91 (2311)	10 (254)	6-1/4 (210)
48 x 24 (1200 x 600)	58	21	59-1/2 (1511)	17 (432)	26 (660)	42 (1067)	49 (1245)	8-1/2 (216)	6-1/4 (159)
48 x 30 (1200 x 750)	60	32	59-1/2 (1511)	20 (508)	32 (813)	51 (1295)	58-1/4 (1480)	9-1/4 (235)	6-1/4 (159)
48 x 36 (1200 x 900)	62	27	59-1/2 (1511)	23 (584)	38 (965)	60 (1524)	67-3/4 (1721)	9-1/2 (241)	6-1/4 (159)
48 x 42 (1200 x 1050)	65	32	59-1/2 (1511)	26 (660)	44 (1118)	69 (1753)	82 (2083)	9-1/2 (241)	6-1/4 (159)
48 x 48 (1200 x 1200)	69	16	59-1/2 (1511)	29 (737)	50 (1270)	78 (1981)	91 (2311)	10 (254)	6-1/4 (159)
48 x 48 (1200 x 1200)	150	60	61-1/2 (1562)	30-3/4 (781)	51-1/2 (1308)	8-1/2 (2070)	93-1/2 (2375)	15-1/4 (387)	9-1/2 (241)
48 x 54 (1200 x 1350)	150	60	61-1/2 (1562)	33-3/4 (857)	57-1/2 (1461)	90-1/2 (2299)	102-1/2 (2604)	15-1/4 (387)	9-1/2 (241)
48 x 60 (1200x1500)	150	60	61-1/2 (1562)	36-3/4 (933)	63-1/2 (1613)	99-1/2 (2527)	111-1/2 (2832)	16-1/2 (419)	9-1/2 (241)
48 x 72 (1200x1800)	150	60	63-1/2 (1562)	42-3/4 (1086)	69-1/2 (1765)	117-1/2 (2985)	129-1/2 (3289)	16-1/2 (419)	9-1/2 (241)
48 x 84 (1200x210)	150	60	61-1/2 (1562)	48-3/4 (1238)	75-1/2 (1918)	135-1/2 (3442)	147-1/2 (3747)	17-3/4 (451)	9-1/2 (241)
48 x 96 (1200 x 2400)	150	60	63-1/2 (1562)	54-3/4 (1391)	81-1/2 (2070)	153-1/2 (3899)	165-1/2 (4204)	17-3/4 (451)	9-1/2 (241)

For gates 36" (900 mm) - 48" (1200 mm) to be mounted on pipe flanges, the dimensions "F" and "G" are increased as follows:

- 36" (900 mm) -increase 3-1/2" (89 mm)
- 42" (1050 mm) -increase 4" (102 mm)
- 48" (1200 mm) -Increase 4-1/4" (108 mm)



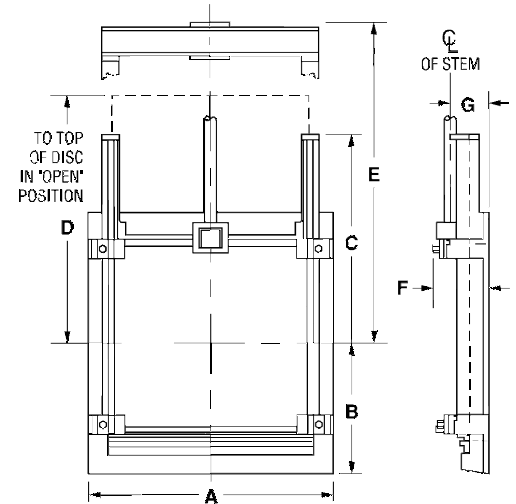
Sluice Gates

Sizes 54" and 60"

DESIGN

SIZE WIDTH x HEIGHT INCHES (MILLIMETERS)	HEAD FT.		DIMENSIONS						
	SEAT	UNSEAT	A	B	C	D	E	F	G
54 x 48 (1350 x 1200)	130	45	67-1/2 (1715)	30-3/4 (781)	51-1/2 (1308)	81-1/2 (2070)	93-1/2 (2375)	15-1/4 (387)	9-1/2 (241)
54 x 54 (1350 x 1350)	130	45	67-1/2 (1715)	33-3/4 (857)	57-1/2 (1308)	90-1/2 (2299)	102-1/2 (2604)	15-1/4 (387)	9-1/2 (241)
54 x 60 (1350 x 1500)	130	45	67-1/2 (1715)	36-3/4 (933)	63-1/2 (1613)	99-1/2 (2527)	111-1/2 (2832)	16-1/2 (419)	9-1/2 (241)
54 x 72 (1350 x 1800)	130	45	67-1/2 (1715)	42-3/4 (1086)	75-1/2 (1918)	117-1/2 (2985)	129-1/2 (3289)	16-1/2 (419)	9-1/2 (241)
54 x 84 (1350 x 2100)	130	45	67-1/2 (1715)	48-3/4 (1238)	87-1/2 (2223)	135-1/2 (3442)	147-1/2 (3747)	17-3/4 (451)	9-1/2 (241)
54 x 96 (1350 x 2400)	130	45	67-1/2 (1715)	54-3/4 (1391)	99-1/2 (2527)	153-1/2 (3899)	165-1/2 (424)	17-3/4 (451)	9-1/2 (241)
60 x 36 (1500 x 900)	80	25	71-1/2 (1816)	23-3/4 (603)	39-1/4 (997)	61-1/2 (1562)	73-1/2 (1867)	13-1/4 (337)	8-3/4 (222)
60 x 48 (1500 x 1200)	80	25	71-1/2 (1816)	29-3/4 (756)	51-1/4 (1302)	79-1/2 (2019)	91-1/2 (2324)	13-1/4 (337)	8-3/4 (222)
60 x 48 (1500 x 1200)	130	45	73-1/2 (1863)	30-3/4 (781)	51-1/2 (1308)	81-1/2 (2070)	93-1/2 (2375)	15-1/4 (387)	9-1/2 (241)
60 x 48 (1500 x 1200)	180	90	73-1/2 (1867)	30-3/4 (781)	51-1/2 (1308)	81-1/2 (2070)	93-1/2 (2375)	15-1/4 (387)	9-1/2 (241)
60 x 54 (1500 x 1350)	80	25	71-1/2 (1816)	32-3/4 (832)	57-1/4 (1454)	88-1/2 (2248)	100-1/2 (2553)	13-1/4 (337)	8-3/4 (222)
60 x 54 (1500 x 1350)	130	45	73-1/2 (1867)	33-3/4 (857)	57-1/2 (1461)	90-1/2 (2299)	102-1/2 (2604)	15-1/4 (387)	9-1/2 (241)
60 x 54 (1500 x 1350)	180	90	73-1/2 (1867)	33-3/4 (857)	57-1/2 (1461)	90-1/2 (2299)	102-1/2 (2604)	15-1/4 (387)	9-1/2 (241)
60 x 60 (1500 x 1500)	80	25	71-1/2 (1816)	35-3/4 (908)	63-1/4 (1607)	97-1/2 (2476)	109-1/2 (2781)	14 (356)	8-3/4 (222)
60 x 60 (1500 x 1500)	130	45	73-1/2 (1867)	36-3/4 (933)	63-1/2 (1613)	99-1/2 (2527)	111-1/2 (2832)	16-1/2 (419)	9-1/2 (241)
60 x 60 (1500 x 1500)	180	90	73-1/2 (1867)	36-3/4 (933)	63-1/2 (1613)	99-1/2 (2527)	111-1/2 (2832)	16-1/2 (419)	9-1/2 (241)
60 x 72 (1500 x 1800)	80	25	71-1/2 (1816)	41-3/4 (1050)	75-1/4 (1911)	115-1/2 (2934)	127-1/2 (3238)	14 (356)	8-3/4 (222)
60 x 72 (1500 x 1800)	130	45	73-1/2 (1867)	42-3/4 (1086)	75-1/2 (1918)	117-1/2 (2984)	129-1/2 (3264)	16-1/2 (419)	9-1/2 (241)
60 x 72 (1500 x 1800)	180	90	73-1/2 (1867)	42-3/4 (1086)	75-1/2 (1918)	117-1/2 (2984)	129-1/2 (3289)	16-1/2 (419)	9-1/2 (241)
60 x 84 (1500 x 2100)	80	25	71-1/2 (1816)	47-3/4 (1213)	87-1/4 (2216)	133-1/2 (3391)	145-1/2 (3696)	14-3/4 (375)	8-3/4 (222)
60 x 84 (1500 x 2100)	130	45	73-1/2 (1867)	48-3/4 (1238)	87-1/2 (2222)	135-1/2 (3442)	147-1/2 (3746)	17-3/4 (451)	9-1/2 (241)
60 x 84 (1500 x 2100)	180	90	73-1/2 (1867)	48-3/4 (1238)	87-1/2 (2222)	135-1/2 (3442)	147-1/2 (3746)	17-3/4 (451)	9-1/2 (241)
60 x 96 (1500 x 2400)	80	25	71-1/2 (1816)	53-3/4 (1365)	99-1/4 (2527)	151-1/2 (3848)	163-1/2 (4153)	14-3/4 (375)	8-3/4 (222)
60 x 96 (1500 x 2400)	130	45	73-1/2 (1867)	54-3/4 (1391)	99-1/2 (2527)	153-1/2 (3899)	165-1/2 (4204)	17-3/4 (451)	9-1/2 (241)
60 x 96 (1500 x 2400)	180	90	73-1/2 (1867)	54-3/4 (1391)	99-1/2 (2527)	153-1/2 (3899)	165-1/2 (4204)	17-3/4 (451)	9-1/2 (241)
60 x 108 (1500 x 2700)	130	45	73-1/2 (1867)	60-3/4 (1543)	114 (2896)	171-1/2 (4356)	183-1/2 (4661)	19 (483)	9-1/2 (241)
60 x 108 (1500 x 2700)	180	90	73-1/2 (1867)	60-3/4 (1543)	114 (2896)	171-1/2 (4356)	183-1/2 (4661)	19 (483)	9-1/2 (241)
60 x 120 (1500 x 3000)	130	45	73-1/2 (1867)	66-3/4 (1695)	126 (3200)	189-1/2 (4813)	201-1/2 (5118)	19 (483)	9-1/2 (241)
60 x 120 (1500 x 3000)	180	90	73-1/2 (1867)	66-3/4 (1695)	126 (3200)	189-1/2 (4813)	201-1/2 (5118)	19 (483)	9-1/2 (241)

For 54" (1350 mm) and 60" (1500 mm) gates to be mounted on pipe flanges, the dimensions "F" and "G" are increased by 3-1/2" (89 mm).



Sluice Gates

Size 72"

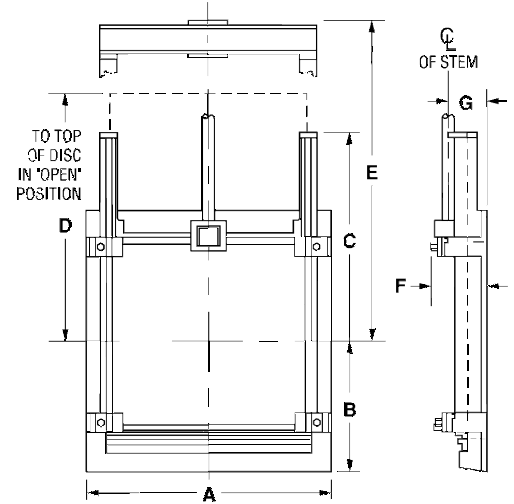
DESIGN

SIZE HEAD FT.

DIMENSIONS

WIDTH x HEIGHT INCHES (MILLIMETERS)	SEAT	UNSEAT	A	B	C	D	E	F	G
72 x 36 (1800 x 900)	60	20	83-1/2 (2121)	23-3/4 (603)	39-1/4 (972)	61-1/2 (1562)	73-1/2 (1867)	13-1/4 (337)	8-3/4 (222)
72 x 48 (1800 x 1200)	60	20	83-1/2 (2121)	29-3/4 (756)	51-1/4 (1302)	79-1/2 (2019)	91-1/2 (2324)	13-1/4 (337)	8-3/4 (222)
72 x 48 (1800 x 1200)	108	36	85-1/2 (2172)	30-1/4 (781)	51-1/2 (1308)	81-1/2 (2070)	93-1/2 (2375)	15-1/4 (387)	9-1/2 (241)
72 x 48 (1800 x 1200)	140	75	85-1/2 (2172)	30-1/4 (781)	51-1/2 (1308)	81-1/2 (2070)	93-1/2 (2375)	15-1/4 (387)	9-1/2 (241)
72 x 54 (1800 x 1350)	60	20	83-1/2 (2121)	32-3/4 (832)	57-1/4 (1454)	88-1/2 (2248)	100-1/2 (2553)	13-1/4 (337)	8-3/4 (222)
72 x 54 (1800 x 1350)	108	36	85-1/2 (2172)	33-3/4 (857)	57-1/2 (1460)	90-1/2 (2299)	102-1/2 (2604)	15-1/4 (387)	9-1/2 (241)
72 x 54 (1800 x 1350)	140	75	85-1/2 (2172)	33-3/4 (857)	57-1/2 (1460)	90-1/2 (2299)	102-1/2 (2604)	15-1/4 (387)	9-1/2 (241)
72 x 60 (1800 x 1500)	60	20	83-1/2 (2121)	35-3/4 (908)	63-1/4 (1607)	97-1/2 (2477)	109-1/2 (2781)	14 (356)	8-3/4 (222)
72 x 60 (1800 x 1500)	108	36	85-1/2 (2172)	36-3/4 (933)	63-1/2 (1613)	99-1/2 (2527)	111-1/2 (2832)	16-1/2 (419)	9-1/2 (241)
72 x 60 (1800 x 1500)	140	75	85-1/2 (2172)	36-3/4 (933)	63-1/2 (1613)	99-1/2 (2527)	111-1/2 (2832)	16-1/2 (419)	9-1/2 (241)
72 x 72 (1800 x 1800)	60	20	83-1/2 (2121)	41-3/4 (1060)	75-1/4 (1911)	115-1/2 (2934)	127-1/2 (3238)	14 (356)	8-3/4 (222)
72 x 72 (1800 x 1800)	108	36	85-1/2 (2172)	42-3/4 (1086)	75-1/2 (1918)	117-1/2 (2984)	129-1/2 (3289)	16-1/2 (419)	9-1/2 (241)
72 x 72 (1800 x 1800)	140	75	85-1/2 (2172)	42-3/4 (1086)	75-1/2 (1918)	117-1/2 (2984)	129-1/2 (3289)	16-1/2 (419)	9-1/2 (241)
72 x 84 (1800 x 2100)	60	20	83-1/2 (2121)	47-3/4 (1213)	87-1/4 (2216)	133-1/2 (3391)	145-1/2 (3696)	14-3/4 (375)	8-3/4 (222)
72 x 84 (1800 x 2100)	108	36	85-1/2 (2172)	48-3/4 (1238)	87-1/2 (2222)	135-1/2 (3442)	147-1/2 (3745)	17-3/4 (451)	9-1/2 (241)
72 x 84 (1800 x 2100)	140	75	85-1/2 (2172)	48-3/4 (1238)	87-1/2 (2222)	135-1/2 (3442)	147-1/2 (3746)	17-3/4 (451)	9-1/2 (241)
72 x 96 (1800 x 2400)	60	20	83-1/2 (2121)	53-3/4 (1365)	99-1/4 (2521)	151-1/2 (3848)	163-1/2 (4153)	14-3/4 (375)	8-3/4 (222)
72 x 96 (1800 x 2400)	108	36	85-1/2 (2172)	54-3/4 (1391)	99-1/2 (2527)	153-1/2 (3899)	165-1/2 (4204)	17-3/4 (451)	9-1/2 (241)
72 x 96 (1800 x 2400)	140	75	85-1/2 (2172)	54-3/4 (1391)	99-1/2 (2527)	153-1/2 (3899)	165-1/2 (4204)	17-3/4 (451)	9-1/2 (241)
72 x 108 (1800 x 2700)	108	36	85-1/2 (2172)	60-3/4 (1543)	114 (2896)	171-1/2 (4356)	183-1/2 (4661)	19 (483)	9-1/2 (241)
72 x 108 (1800 x 2700)	140	75	85-1/2 (2172)	60-3/4 (1543)	114 (2896)	171-1/2 (4356)	183-1/2 (4661)	19 (483)	9-1/2 (241)
72 x 120 (1800 x 3000)	108	36	85-1/2 (2172)	66-3/4 (1695)	126 (3200)	189-1/2 (4813)	201-1/2 (5118)	19 (483)	9-1/2 (241)
72 x 120 (1800 x 3000)	140	75	85-1/2 (2172)	66-3/4 (1695)	126 (3200)	189-1/2 (4813)	201-1/2 (5118)	19 (483)	9-1/2 (241)

For 72" (1800 mm) gates to be mounted on pipe flanges, the dimensions "F" and "G" are increased by 3-1/2" (89 mm).

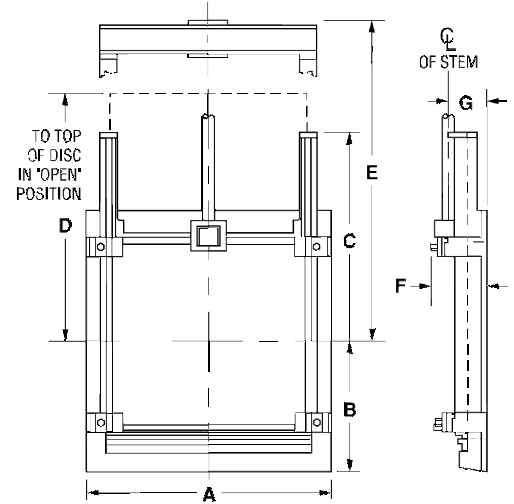


Sluice Gates

Size 84"

SIZE	DESIGN HEAD FT.		DIMENSION						
	WIDTH x HEIGHT INCHES (MILLIMETERS)	SEAT	UNSEAT	A	B	C	D	E	F
84 x 36 (2100 x 900)	54	17	95-1/2 (2426)	23-3/4 (603)	39-1/4 (997)	61-1/2 (1562)	73-1/2 (1867)	13-1/4 (337)	8-3/4 (222)
84 x 48 (2100 x 1200)	54	17	95-1/2 (2426)	29-3/4 (756)	51-1/4 (1302)	79-1/2 (2019)	91-1/2 (2324)	13-1/4 (337)	8-3/4 (222)
84 x 48 (2100 x 1200)	80	30	97-1/2 (2477)	30-1/4 (781)	51-1/2 (1308)	81-1/2 (2070)	93-1/2 (2375)	15/1/4 (387)	9-1/2 (241)
84 x 48 (2100 x 1200)	110	60	97-1/2 (2477)	30-1/4 (781)	51-1/2 (1308)	81-1/2 (2070)	93-1/2 (2375)	15/1/4 (387)	9-1/2 (241)
84 x 54 (2100 x 1350)	54	17	95-1/2 (2426)	32-3/4 (832)	57-1/4 (1454)	88-1/2 (2248)	100-1/2 (2553)	13-1/4 (337)	8-3/4 (222)
84 x 54 (2100 x 1350)	80	30	97-1/2 (2477)	33-3/4 (857)	57-1/2 (1461)	90-1/2 (2299)	102-1/2 (2604)	15/1/4 (387)	9-1/2 (241)
84 x 54 (2100 x 1350)	110	60	97-1/2 (2477)	33-3/4 (857)	51-1/2 (1308)	90-1/2 (2299)	102-1/2 (2604)	15/1/4 (387)	9-1/2 (241)
84 x 60 (2100 x 1500)	54	17	95-1/2 (2426)	35-3/4 (908)	63-1/4 (1607)	97-1/2 (2477)	109-1/2 (2781)	14 (356)	8-3/4 (222)
84 x 60 (2100 x 1500)	80	30	97-1/2 (2477)	36-3/4 (933)	63-1/2 (1613)	99-1/2 (2527)	111-1/2 (2832)	16-1/2 (419)	9-1/2 (241)
84 x 60 (2100 x 1500)	110	60	97-1/2 (2477)	36-3/4 (933)	63-1/2 (1613)	99-1/2 (2527)	111-1/2 (2832)	16-1/2 (419)	9-1/2 (241)
84 x 72 (2100 x 1800)	54	17	95-1/2 (2426)	41-3/4 (1060)	75-1/4 (1911)	115-1/2 (2934)	127-1/2 (3238)	14 (356)	8-3/4 (222)
84 x 72 (2100 x 1800)	80	30	97-1/2 (2477)	42-3/4 (1086)	75-1/2 (1918)	117-1/2 (2984)	129-1/2 (3289)	16-1/2 (419)	9-1/2 (241)
84 x 72 (2100 x 1800)	110	60	97-1/2 (2477)	42-3/4 (1085)	75-1/2 (1918)	117-1/2 (2984)	129-1/2 (3289)	16-1/2 (419)	9-1/2 (241)
84 x 84 (2100 x 2100)	54	17	95-1/2 (2426)	47-3/4 (1213)	87-1/4 (2216)	133-1/2 (3391)	145-1/2 (3696)	14-3/4 (375)	8-3/4 (222)
84 x 84 (2100 x 2100)	80	30	97-1/2 (2477)	48-3/4 (1238)	87-1/2 (2222)	135-1/2 (3442)	147-1/2 (3746)	17-3/4 (451)	9-1/2 (241)
84 x 84 (2100 x 2100)	110	60	97-1/2 (2477)	48-3/4 (1238)	87-1/2 (2222)	135-1/2 (3442)	147-1/2 (3746)	17-3/4 (451)	9-1/2 (241)
84 x 96 (2100 x 2400)	54	17	95-1/2 (2426)	53-3/4 (1365)	99-1/4 (2521)	151-1/2 (3848)	163-1/2 (4153)	14-3/4 (375)	8-3/4 (222)
84 x 96 (2100 x 2400)	80	30	97-1/2 (2477)	54-3/4 (1391)	99-1/2 (2527)	153-1/2 (3899)	165-1/2 (4204)	17-3/4 (444)	9-1/2 (241)
84 x 96 (2100 x 2400)	110	60	97-1/2 (2477)	54-3/4 (1391)	99-1/2 (2527)	153-1/2 (3899)	165-1/2 (4204)	17-3/4 (444)	9-1/2 (241)
84 x 108 (2100 x 2750)	80	30	97-1/2 (2477)	60-3/4 (1543)	114 (2896)	171-1/2 (4356)	183-1/2 (4661)	19 (483)	9-1/2 (241)
84 x 108 (2100 x 2750)	110	60	97-1/2 (2477)	60-3/4 (1543)	114 (2896)	171-1/2 (4356)	183-1/2 (4661)	19 (483)	9-1/2 (241)
84 x 120 (2100 x 3000)	80	30	97-1/2 (2477)	66-3/4 (1695)	126 (3200)	189-1/2 (4813)	201-1/2 (5118)	19 (483)	9-1/2 (241)
84 x 120 (2100 x 3000)	110	60	97-1/2 (2477)	66-3/4 (1695)	126 (3200)	189-1/2 (4813)	201-1/2 (5118)	19 (483)	9-1/2 (241)

For 84" (2100 mm) gates to be mounted on pipe flanges, the dimensions "F" and "G" are increased by 3-1/2" (89 mm).

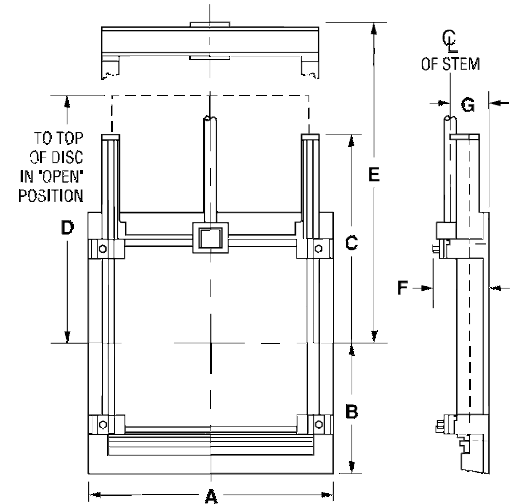


Sluice Gates

Size 96"

SIZE	DESIGN HEAD FT.		DIMENSION						
	SEAT	UNSEAT	A	B	C	D	E	F	G
96 x 36 (2400 x 900)	52	14	107-1/2 (2730)	23-3/4 (603)	39-1/4 (997)	61-1/2 (1562)	79-1/2 (2019)	13-1/4 (337)	8-3/4 (222)
96 x 48 (2400 x 1200)	52	14	107-1/2 (2730)	29-3/4 (756)	51-1/4 (1302)	79-1/2 (2019)	97-1/2 (2476)	13-1/4 (337)	8-3/4 (222)
96 x 48 (2400 x 1200)	65	25	109-1/2 (2781)	30-3/4 (781)	51-1/2 (1308)	81-1/2 (2070)	99-1/2 (2527)	15-1/4 (387)	9-1/2 (241)
96 x 48 (2400 x 1200)	90	50	109-1/2 (2781)	30-3/4 (781)	51-1/2 (1308)	81-1/2 (2070)	99-1/2 (2527)	15-1/4 (387)	9-1/2 (241)
96 x 54 (2400 x 1350)	52	14	107-1/2 (2730)	32-3/4 (832)	57-1/4 (1454)	88-1/2 (2248)	106-1/2 (2705)	13-1/4 (337)	8-3/4 (222)
96 x 54 (2400 x 1350)	65	25	109-1/2 (2781)	33-3/4 (857)	57-1/2 (1460)	90-1/2 (2299)	108-1/2 (2756)	15-1/4 (387)	9-1/2 (241)
96 x 54 (2400 x 1350)	90	50	109-1/2 (2781)	33-3/4 (857)	57-1/2 (1460)	90-1/2 (2299)	108-1/2 (2756)	15-1/4 (387)	9-1/2 (241)
96 x 60 (2400 x 1500)	52	14	107-1/2 (2730)	35-3/4 (908)	63-1/4 (1607)	97-1/2 (2476)	115-1/2 (2934)	14 (356)	8-3/4 (222)
96 x 60 (2400 x 1500)	65	25	109-1/2 (2781)	36-3/4 (933)	63-1/2 (1613)	99-1/2 (2527)	117-1/2 (2984)	16-1/2 (419)	9-1/2 (241)
96 x 60 (2400 x 1500)	90	50	109-1/2 (2781)	36-3/4 (933)	63-1/2 (1613)	99-1/2 (2527)	117-1/2 (2984)	16-1/2 (419)	9-1/2 (241)
96 x 72 (2400 x 1800)	52	14	107-1/2 (2730)	41-3/4 (1060)	75-1/4 (1911)	115-1/2 (2934)	133-1/2 (3391)	14 (356)	8-3/4 (222)
96 x 72 (2400 x 1800)	65	25	109-1/2 (2781)	42-3/4 (1086)	75-1/2 (1918)	117-1/2 (2984)	135-1/2 (3442)	16-1/2 (419)	9-1/2 (241)
96 x 72 (2400 x 1800)	90	50	109-1/2 (2781)	42-3/4 (1086)	75-1/2 (1918)	117-1/2 (2984)	135-1/2 (3442)	16-1/2 (419)	9-1/2 (241)
96 x 84 (2400 x 2100)	52	14	107-1/2 (2730)	47-3/4 (1213)	87-1/4 (2216)	133-1/2 (3391)	151-1/2 (3848)	14-3/4 (375)	8-3/4 (222)
96 x 84 (2400 x 2100)	65	25	109-1/2 (2781)	48-3/4 (1238)	87-1/2 (2222)	135-1/2 (3442)	153-1/2 (3899)	17-3/4 (451)	9-1/2 (241)
96 x 84 (2400 x 2100)	90	50	109-1/2 (2781)	48-3/4 (1238)	87-1/2 (2222)	135-1/2 (3442)	153-1/2 (3899)	17-3/4 (451)	9-1/2 (241)
96 x 96 (2400 x 2400)	52	14	107-1/2 (2730)	53-3/4 (1365)	99-1/4 (2521)	151-1/2 (3848)	169-1/2 (4305)	14-3/4 (375)	8-3/4 (222)
96 x 96 (2400 x 2400)	65	25	109-1/2 (2781)	54-3/4 (1391)	99-1/2 (2527)	153-1/2 (3899)	171-1/2 (4356)	17-3/4 (451)	9-1/2 (241)
96 x 96 (2400 x 2400)	90	50	109-1/2 (2781)	54-3/4 (1391)	99-1/2 (2527)	153-1/2 (3899)	171-1/2 (4356)	17-3/4 (451)	9-1/2 (241)
96 x 108 (2400 x 2750)	65	25	109-1/2 (2781)	60-3/4 (1543)	114 (2896)	171-1/2 (4356)	189-1/2 (4813)	19 (483)	9-1/2 (241)
96 x 108 (2400 x 2750)	90	50	109-1/2 (2781)	60-3/4 (1543)	114 (2896)	171-1/2 (4356)	189-1/2 (4813)	19 (483)	9-1/2 (241)
96 x 120 (2400 x 3000)	65	25	109-1/2 (2781)	66-3/4 (1695)	126 (3200)	189-1/2 (4813)	207-1/2 (5270)	19 (483)	9-1/2 (241)
96 x 120 (2400 x 3000)	90	50	109-1/2 (2781)	66-3/4 (1695)	126 (3200)	189-1/2 (4813)	207-1/2 (5270)	19 (483)	9-1/2 (241)

For 96" (2400 mm) gates to be mounted on pipe flanges, the dimensions "F" and "G" are increased by 3-1/2" (89 mm).

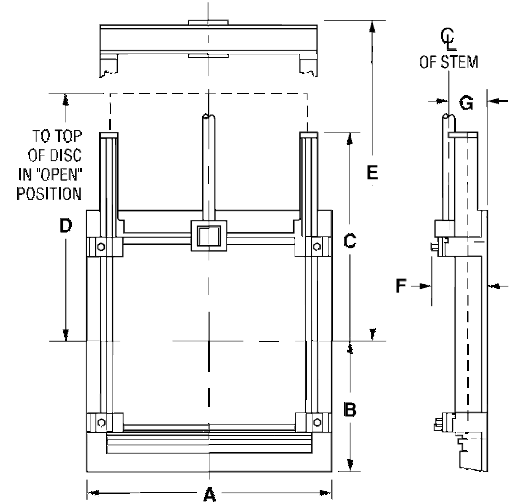


Sluice Gates

Size 108"

SIZE	DESIGN HEAD FT.		DIMENSION							
	WIDTH x HEIGHT INCHES (MILLIMETERS)	SEAT	UNSEAT	A	B	C	D	E	F	G
108 x 48 (2750 x 1200)	55	23	121-1/2 (3086)	30-3/4 (781)	51-1/2 (1308)	81-1/2 (2070)	99-1/2 (2527)	15-1/4 (387)	9-1/2 (241)	
108 x 48 (2750 x 1200)	78	45	121-1/2 (3086)	30-3/4 (781)	51-1/2 (1308)	81-1/2 (2070)	99-1/2 (2527)	15-1/4 (387)	9-1/2 (241)	
108 x 54 (2750 x 1350)	55	23	121-1/2 (3086)	33-3/4 (857)	57-1/2 (1460)	90-1/2 (2299)	108-1/2 (2756)	15-1/4 (387)	9-1/2 (241)	
108 x 54 (2750 x 1350)	78	45	121-1/2 (3086)	33-3/4 (857)	57-1/2 (1460)	90-1/2 (2299)	108-1/2 (2756)	15-1/4 (387)	9-1/2 (241)	
108 x 60 (2750 x 1500)	55	23	121-1/2 (3086)	36-3/4 (933)	63-1/2 (1613)	99-1/2 (2527)	117-1/2 (2984)	16-1/2 (419)	9-1/2 (241)	
108 x 60 (2750 x 1500)	78	45	121-1/2 (3086)	36-3/4 (933)	63-1/2 (1613)	99-1/2 (2527)	117-1/2 (2984)	16-1/2 (419)	9-1/2 (241)	
108 x 72 (2750 x 1800)	55	23	121-1/2 (3086)	42-3/4 (1086)	75-1/2 (1918)	117-1/2 (2984)	135-1/2 (3442)	16-1/2 (419)	9-1/2 (241)	
108 x 72 (2750 x 1800)	78	45	121-1/2 (3086)	42-3/4 (1086)	75-1/2 (1918)	117-1/2 (2984)	135-1/2 (3442)	16-1/2 (419)	9-1/2 (241)	
108 x 84 (2750 x 2100)	55	23	121-1/2 (3086)	48-3/4 (1238)	87-1/2 (2222)	135-1/2 (3442)	153-1/2 (3899)	17-3/4 (451)	9-1/2 (241)	
108 x 84 (2750 x 2100)	78	45	121-1/2 (3086)	48-3/4 (1238)	87-1/2 (2222)	135-1/2 (3442)	153-1/2 (3899)	17-3/4 (451)	9-1/2 (241)	
108 x 96 (2750 x 2400)	55	23	121-1/2 (3086)	54-3/4 (1391)	99-1/2 (2527)	153-1/2 (3899)	171-1/2 (4356)	11-3/4 (451)	9-1/2 (241)	
108 x 96 (2750 x 2400)	78	45	121-1/2 (3086)	54-3/4 (1391)	99-1/2 (2527)	153-1/2 (3899)	171-1/2 (4356)	11-3/4 (451)	9-1/2 (241)	
108 x 108 (2750 x 2750)	55	23	121-1/2 (3086)	60-3/4 (1543)	114 (2896)	171-1/2 (4356)	189-1/2 (4813)	19 (483)	9-1/2 (241)	
108 x 108 (2750 x 2750)	78	45	121-1/2 (3086)	60-3/4 (1543)	114 (2896)	171-1/2 (4356)	189-1/2 (4813)	19 (483)	9-1/2 (241)	
108 x 120 (2750 x 3000)	55	23	121-1/2 (3086)	66-3/4 (1695)	126 (3200)	189-1/2 (4813)	207-1/2 (5270)	19 (483)	9-1/2 (241)	
108 x 120 (2750 x 3000)	78	45	121-1/2 (3086)	66-3/4 (1695)	126 (3200)	189-1/2 (4813)	207-1/2 (5270)	19 (483)	9-1/2 (241)	

For 108" (2780 mm) gates to be mounted on pipe flanges, the dimensions "F" and "G" are increased by 3-1/2" (89 mm).

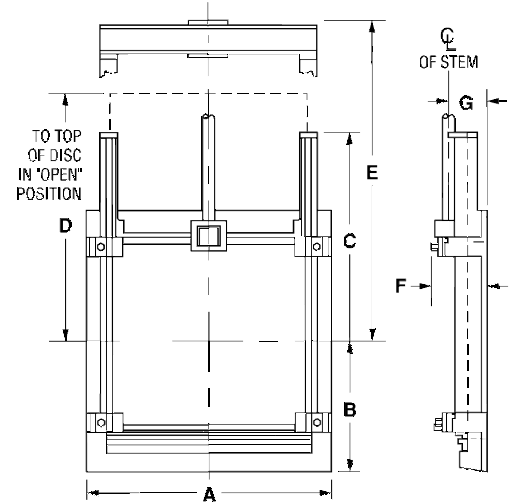


Sluice Gates

Size 120"

SIZE	DESIGN HEAD FT.		DIMENSION						
	SEAT	UNSEAT	A	B	C	D	E	F	G
120 x 48 (3000 x 1200)	50	20	133-1/2 (3391)	30-3/4 (781)	51-1/2 (1308)	81-1/2 (2070)	99-1/2 (2527)	15-1/4 (387)	9-1/2 (241)
120 x 48 (3000 x 1200)	70	40	133-1/2 (3391)	30-3/4 (781)	51-1/2 (1308)	81-1/2 (2070)	99-1/2 (2527)	15-1/4 (387)	9-1/2 (241)
120 x 54 (3000 x 1350)	50	20	133-1/2 (3391)	33-3/4 (857)	57-1/2 (1461)	90-1/2 (2299)	108-1/2 (2756)	15-1/4 (387)	9-1/2 (241)
120 x 54 (3000 x 1350)	70	40	133-1/2 (3391)	33-3/4 (857)	57-1/2 (1461)	90-1/2 (2279)	108-1/2 (2756)	15-1/4 (387)	9-1/2 (241)
120 x 60 (3000 x 1500)	50	20	133-1/2 (3391)	36-3/4 (933)	63-1/2 (1613)	99-1/2 (2527)	117-1/2 (2985)	16-1/2 (419)	9-1/2 (241)
120 x 60 (3000 x 1500)	70	40	133-1/2 (3391)	36-3/4 (933)	63-1/2 (1613)	99-1/2 (2527)	117-1/2 (2985)	16-1/2 (419)	9-1/2 (241)
120 x 72 (3000 x 1800)	50	20	133-1/2 (3391)	42-3/4 (1086)	75-1/2 (1918)	117-1/2 (2984)	135-1/2 (3442)	16-1/2 (419)	9-1/2 (241)
120 x 72 (3000 x 1800)	70	40	133-1/2 (3391)	42-3/4 (1086)	75-1/2 (1918)	117-1/2 (2984)	135-1/2 (3442)	16-1/2 (419)	9-1/2 (241)
120 x 84 (3000 x 2100)	50	20	133-1/2 (3391)	48-3/4 (1238)	87-1/2 (2223)	135-1/2 (3442)	153-1/2 (3899)	17-3/4 (451)	9-1/2 (241)
120 x 84 (3000 x 2100)	70	40	133-1/2 (3391)	48-3/4 (1238)	87-1/2 (2223)	135-1/2 (3442)	153-1/2 (3899)	17-3/4 (451)	9-1/2 (241)
120 x 96 (3000 x 2400)	50	20	133-1/2 (3391)	54-3/4 (1391)	99-1/2 (2527)	153-1/2 (3899)	171-1/2 (4356)	17-3/4 (451)	9-1/2 (241)
120 x 96 (3000 x 2400)	70	40	133-1/2 (3391)	54-3/4 (1391)	99-1/2 (2527)	153-1/2 (3899)	171-1/2 (4356)	17-3/4 (451)	9-1/2 (241)
120 x 108 (3000 x 2750)	50	20	133-1/2 (3391)	60-3/4 (1543)	114 (2896)	171-1/2 (4356)	189-1/2 (4813)	19 (483)	9-1/2 (241)
120 x 108 (3000 x 2750)	70	40	133-1/2 (3391)	60-3/4 (1543)	114 (2896)	171-1/2 (4356)	189-1/2 (4813)	19 (483)	9-1/2 (241)
120 x 120 (3000 x 3000)	50	20	133-1/2 (3391)	66-3/4 (1695)	126 (3200)	189-1/2 (4813)	207-1/2 (5271)	19 (483)	9-1/2 (241)
120 x 120 (3000 x 3000)	70	40	133-1/2 (3391)	66-3/4 (1695)	126 (3200)	189-1/2 (4813)	207-1/2 (5271)	19 (483)	9-1/2 (241)

For 120" (3000 mm) gates to be mounted on pipe flanges, the dimensions "F" and "G" are increased by 3-1/2" (89 mm).



For Sluice Gates Over 120"

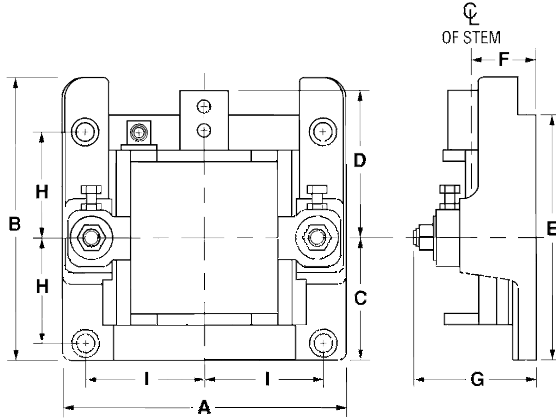
Sluice gates over 10 ft. are not frequently used and, therefore, the listing of sizes and dimensions are not included in this catalog. However, Rodney Hunt has manufactured many gates larger than 10 ft. square, including gates as large as 16 ft. x 16 ft., and can meet requirements for sluice gates larger than those listed in this catalog.

Rodney Hunt is proud of its ability and willingness to furnish equipment which meets specific and unusual applications, and welcomes the opportunity to assist in any sluice gate application regardless of the size of the gate or the head.

SPECIAL SERIES GATES

Bronze Gate (Series B-240) with rising stem

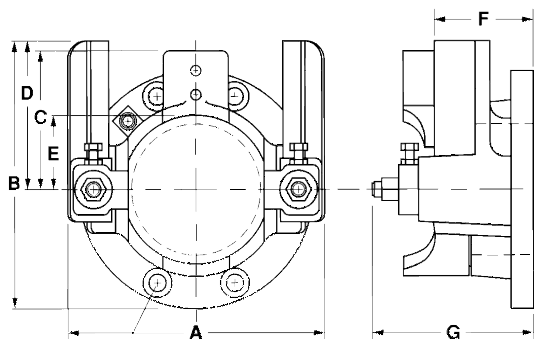
SIZE	DESIGN HEAD FT.		DIMENSION								
WIDTH x HEIGHT INCHES (MILLIMETERS)	SEAT	UNSEAT	A	B	C	D	E	F	G	H	I
(6 x 6) (150 x 150)	185	50	12 (305)	12 (305)	5-1/4 (133)	6-1/4 (159)	10-1/2 (267)	2-3/4 (70)	5-1/4 (133)	4-1/2 (114)	5 (127)
(8 x 8) (200 x 200)	78	25	14 (356)	15 (381)	6-1/4 (159)	7-1/4 (184)	12-1/2 (318)	2-3/4 (70)	5-1/4 (133)	5-1/2 (140)	6 (152)
(10 x 10) (250 x 250)	42	25	16 (406)	18 (457)	7-1/4 (184)	8-1/4 (210)	14-1/2 (368)	2-3/4 (70)	5-1/4 (133)	6-1/2 (165)	7 (178)



SPECIAL SERIES GATES

Series R-260 with resilient seat

SIZE	DESIGN HEAD FT.		DIMENSION						
WIDTH x HEIGHT INCHES (MILLIMETERS)	SEAT	UNSEAT	A	B	C	D	E	F	G
6 (150)	150	150	12-1/8 (308)	12-1/2 (318)	6-1/2 (165)	7 (178)	3-1/2 (89)	4-1/2 (114)	7-1/2 (191)
8 (200)	125	125	14-1/8 (359)	15-3/4 (400)	7-1/2 (191)	9 (229)	4-1/2 (114)	4-1/2 (114)	7-1/2 (191)
10 (250)	80	80	16-1/8 (410)	19 (483)	8-1/2 (216)	11 (279)	5-1/2 (140)	4-1/2 (114)	7-1/2 (191)
12 (300)	75	75	18-1/8 (460)	22-1/2 (572)	9-1/2 (241)	13 (330)	6-1/2 (165)	4-1/2 (114)	8 (203)
14 (350)	55	55	20-1/8 (511)	25-1/2 (648)	10-1/2 (267)	15 (381)	7-1/2 (191)	4-1/2 (114)	8 (203)
16 (400)	40	40	22-1/8 (562)	28-3/4 (730)	11-1/2 (292)	17 (432)	8-1/8 (216)	4-1/2 (114)	8 (203)
18 (450)	40	40	24-1/8 (613)	31-1/2 (800)	12-1/2 (318)	19 (483)	9 (229)	4-1/2 (114)	8-1/2 (216)



Bolt template to match with ANSI B16.1 125# flange or AWWA C207 Class D pipe flange

Advantage of Special Series Gates

Series B240 Bronze Gate

- Superior corrosion resistance in the most severe water, wastewater, and salt water applications.
- 100% bronze components --- available in multiple alloys.
- AWWA leakage performance.
- Cost effective.

Series R260 Gate

- Solid bronze disc, combined with AWWA materials.
- Superior leakage performance 1/3 or less than AWWA allowable.
- Direct mount on ANSI pipe flanges.
- Cost effective.