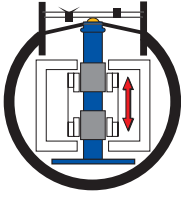


LINEAR



LINEAR SERIES

MODELS

Standard models

5078S

5100S

5120S

5150S

5200S

*Other models based
on availability and
minimum purchase.*

5030MO

5040MO

5060MO

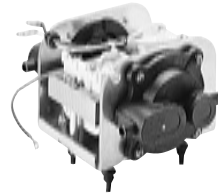
5150S
5200S



5078S
5100S
5120S



5030MO
5040MO
5060MO



FEATURES

- Low power consumption
— high efficiency
- Quiet operation
- Low starting current draw
- Low vibration
- Low pulsations
- Few moving parts
- No bearings
- Automatic pressure limitation
- No wearing surface
— low cost to rebuild
- Variable performance
electronic controller available
- UL component recognized

Consult factory for custom applications

BENEFITS

- Low operating cost
- Oil-less design
- Low maintenance
- No expensive sound
insulation required
- Less heat
- Low pulsations
- No expensive anti-vibration mounts
- No need for pulsation chamber
- Less friction and heat — longer life
- No wearing surface — low cost
to rebuild
- Easily adjusts air flow performance
to exact requirements

ISO 9001
CERTIFIED

THOMAS
A Gardner Denver Product

Linear Series Performance Data

		Standard				Standard				Standard			
MODEL NUMBERS		5078S				5100S				5120S			
MANUFACTURING CODE		150074				150044				150045			
HEAD CONFIGURATION		Pressure Only				Pressure Only				Pressure Only			
VOLTAGE/HERTZ/PHASE		115/60/1				115/60/1				115/60/1			
PRESSURE													
CFM @ PSI	LPM @ bar	CFM	LPM	AMPS	WATTS	CFM	LPM	AMPS	WATTS	CFM	LPM	AMPS	WATTS
0	0	3.60	101.9	2.3	85.0	4.62	130.8	2.7	107	5.67	160.6	2.8	157.0
1	.1	3.45	94.5	2.3	90.0	4.37	118.6	2.6	110	5.38	146.5	2.6	154.0
2	.2	3.20	79.1	2.1	92.0	3.97	98.1	2.5	108	4.92	124.0	2.5	148.0
3	.3	2.75	52.0	2.0	85.0	3.41	68.7	2.3	99	4.32	95.1	2.3	135.0
4	.4	2.10	19.0	1.9	75.0	2.71	34.8	2.1	85	3.64	61.4	2.1	119.0
5	.5	1.35		1.8	62.0	1.90		2.0	67	2.84	26.5	2.0	97.0
6	.6	0.50		1.7	43.0	1.06		1.9	46	2.00		1.8	74.0
7	.7									1.16		1.7	49.0
8	.8												
MAX. CONTINUOUS PRESSURE		3.5 PSI		.24 bar		3.5 PSI		.28 bar		3.5 PSI		.31 bar	
MAX. INTERMITTENT PRESSURE		6.3 PSI		.43 bar		7.2 PSI		.50 bar		8.3 PSI		.57 bar	
NET WEIGHT		18.5 lbs.		8.4 kg		18.5 lbs.		8.4 kg		18.5 lbs.		8.4 kg	

		Standard				Standard			
MODEL NUMBERS		5150S				5200S			
MANUFACTURING CODE		150046				150047			
HEAD CONFIGURATION		Pressure Only				Pressure Only			
VOLTAGE/HERTZ/PHASE		115/60/1				115/60/1			
PRESSURE									
CFM @ PSI	LPM @ bar	CFM	LPM	AMPS	WATTS	CFM	LPM	AMPS	WATTS
0	0	7.73	218.9	2.9	168	9.55	270.4	4.6	261
1	.1	7.10	188.2	2.8	158	8.78	239.3	4.4	251
2	.2	6.09	144.9	2.6	148	8.05	204.0	4.2	235
3	.3	5.01	100.1	2.4	129	7.11	155.8	3.9	216
4	.4	4.20	29.3	2.2	103	5.90	102.4	3.7	191
5	.5	2.30		2.0	74	4.76	35.6	3.4	161
6	.6	0.72		2.0	41	3.33		3.2	125
7	.7					1.61		3.1	80
8	.8					0.20		3.4	47
MAX. CONTINUOUS PRESSURE		3.5 PSI		.24 bar		3.5 PSI		.31 bar	
MAX. INTERMITTENT PRESSURE		6.6 PSI		.45 bar		8.2 PSI		.56 bar	
NET WEIGHT		25.5 lbs.		11.6 kg		25.5 lbs.		11.6 kg	

The information presented in this material is based on technical data and test results of nominal units. It is believed to be accurate and reliable and is offered as an aid to help in the selection of Thomas products. It is the responsibility of the user to determine the suitability of the product for his intended use and the user assumes all risk and liability whatsoever in connection therewith. Thomas Industries does not warrant, guarantee or assume any obligation or liability in connection with this information.

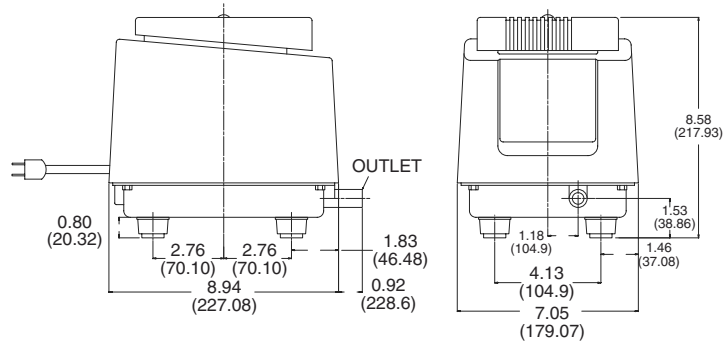
NOTE: Models pictured are representative of the series and do not represent a specific model number. Consult factory for detailed physical description.

Linear Series Performance Data

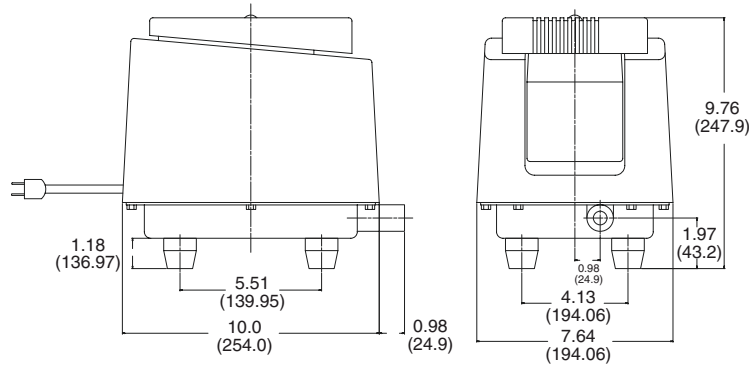
MODEL NUMBERS		5030MO				5040MO				5060MO			
MANUFACTURING CODE		150005				150008				150011			
HEAD CONFIGURATION		Pressure Only				Pressure Only				Pressure Only			
VOLTAGE/HERTZ/PHASE		115/60/1				115/60/1				115/60/1			
PRESSURE													
CFM @ PSI	LPM @ bar	CFM	LPM	AMPS	WATTS	CFM	LPM	AMPS	WATTS	CFM	LPM	AMPS	WATTS
0	0	2.10	59.5	0.8	28	2.74	77.6	1.0	41	3.39	96.0	1.6	65
1	.1	1.65	40.5	0.7	28	2.18	54.1	0.9	41	2.98	78.0	1.5	63
2	.2	1.16	19.1	0.7	24	1.58	29.2	0.9	35	2.48	59.0	1.5	62
3	.3	0.62	1.5	0.6	19	0.97	8.2	0.8	27	2.04	39.1	1.4	59
4	.4	0.18		0.6	13	0.42		0.8	19	1.56	19.7	1.3	52
5	.5					0.05		0.8	13	1.11		1.2	40
6	.6									0.59		1.1	26
7	.7												
8	.8												
MAX. CONTINUOUS PRESSURE		3.0 PSI		.21 bar		3.5 PSI		.24 bar		4.0 PSI		.28 bar	
MAX. INTERMITTENT PRESSURE		4.5 PSI		.31 bar		5.1 PSI		.35 bar		6.9 PSI		.48 bar	
NET WEIGHT		5.3 lbs.		2.4 kg		6.0 lbs.		2.7 kg		7.0 lbs.		3.2 kg	

Dimensions Millimeters are in ()

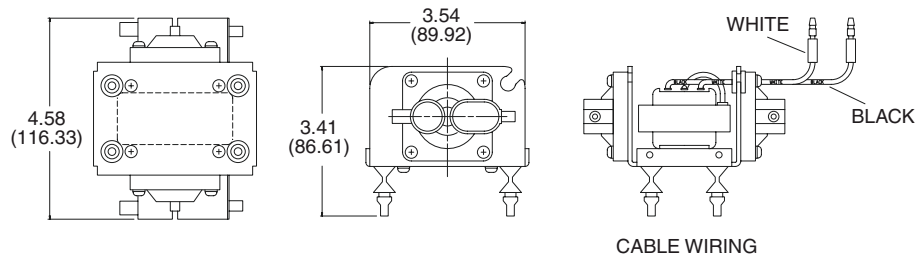
5078S, 5100S, 5120S



5150S, 5200S



5030MO, 5060MO



ALL DIMENSIONS ARE SHOWN FOR REFERENCE ONLY.

THOMAS
A Gardner Denver Product

Thomas Products Division
1419 Illinois Ave
Sheboygan, WI 53082 USA
Phone: (920) 457-4891
Fax: (920) 451-4276
www.thomaspumps.com