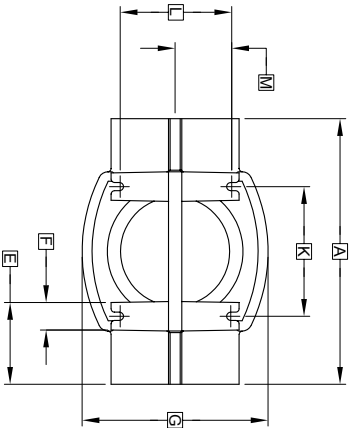
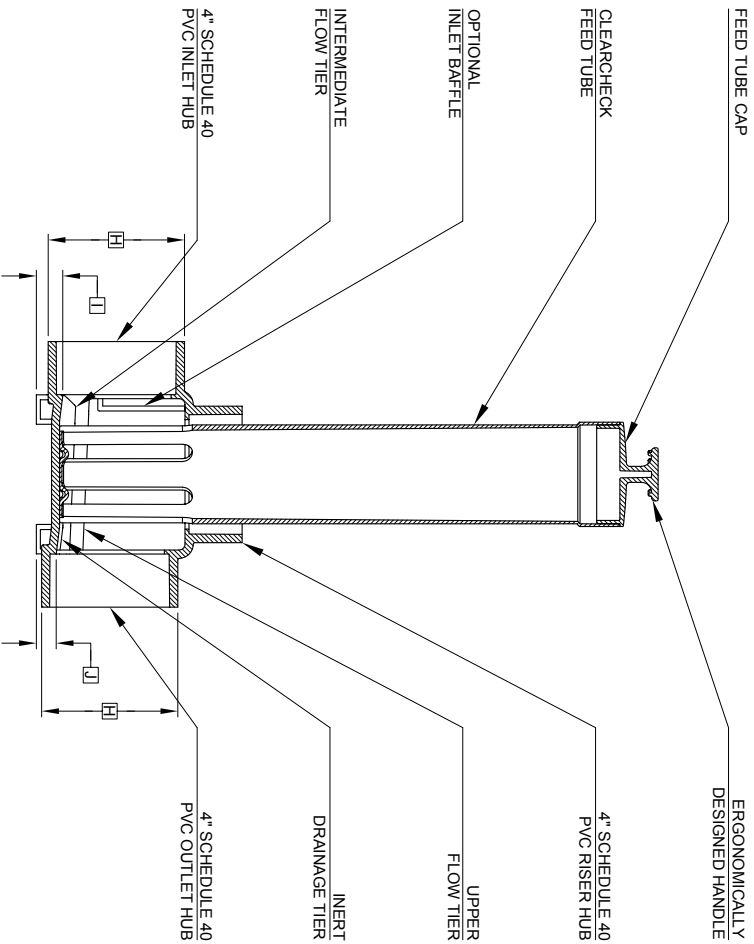


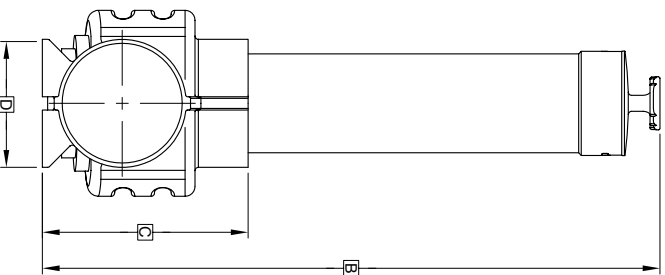
TOP VIEW



BOTTOM VIEW



SECTION A-A



INLET END VIEW

GENERAL NOTES:

- ① FALL THROUGH TABLET FEEDER FROM INLET INVERT TO OUTLET INVERT IS ONE QUARTER INCH.
- ② FINISHED GRADE MUST BE MAINTAINED AT LEAST SIX INCHES BELOW TOP OF LID.
- ③ INLET, OUTLET AND RISER HUBS ACCEPT STANDARD 4" SCHEDULE 40 PVC PIPES AND FITTINGS.
- ④ WHERE TABLET FEEDER IS INSTALLED WITHOUT MOUNTING BRACKETS, INSTALL ON FOUR INCH SAND OR FINE GRAVEL LEVELING PAD.

PROJECT ENGINEERS' APPROVAL:
 I (WE) HEREBY CERTIFY THAT THIS DRAWING HAS BEEN CHECKED AND IS APPROVED FOR USE IN CONFORMITY WITH THE CONTRACT DOCUMENTS.

DATE: _____
 NAME: _____

CONTRACTOR'S CERTIFICATION:
 I (WE) HEREBY CERTIFY THAT THIS DRAWING HAS BEEN CHECKED AND IS APPROVED FOR USE IN CONFORMITY WITH THE CONTRACT DOCUMENTS.

DATE: _____
 NAME: _____

CRITICAL DIMENSIONS

A	0'-10"	N
B	1'-11 1/4"	O
C	0'-7 3/4"	P
D	0'-4 13/16"	Q
E	0'-2"	R
F	0'-1"	S
G	0'-7"	T
H	0'-5 1/8"	U
I	0'-1"	V
J	0'-0 3/4"	W
K	0'-4 7/8"	X
L	0'-4 1/4"	Y
M	0'-2 1/8"	Z

TOLERANCES

NOMINAL DIMENSIONS ARE SHOWN AND MAY VARY ±1/32" FOR INJECTION MOLDED COMPONENTS.

U.S. AND FOREIGN PATENTS PENDING NORWEGIAN BIO-DYNAMIC® MODEL LF 1000 TABLET FEEDER	DATE: 1-17-06 DRAWN BY: NRB CHECKED BY: JMM
	PROJECT NO: 7-31-02 CLIENT: NTS

THE INFORMATION CONTAINED HEREIN IS THE PROPERTY OF NORWEGIAN BIO-DYNAMIC. IT IS TO BE USED ONLY FOR THE PROJECT AND SITE SPECIFICALLY IDENTIFIED HEREIN. NO PART OF THIS DOCUMENT IS TO BE REPRODUCED OR TRANSMITTED IN ANY FORM OR BY ANY MEANS, ELECTRONIC OR MECHANICAL, INCLUDING PHOTOCOPYING, RECORDING, OR BY ANY INFORMATION STORAGE AND RETRIEVAL SYSTEM, WITHOUT THE WRITTEN PERMISSION OF NORWEGIAN BIO-DYNAMIC.
 MAMU