

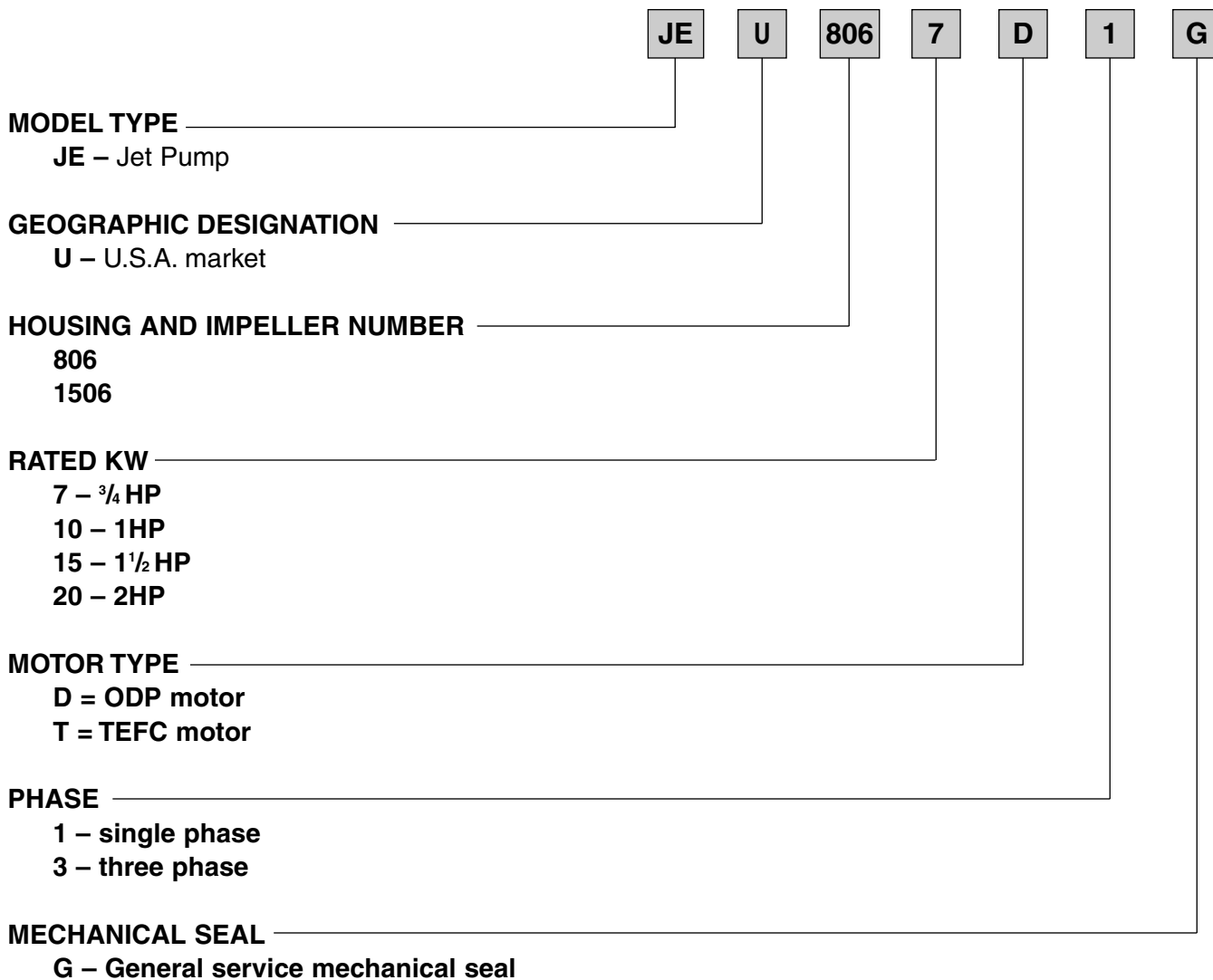
Model No.	Specifications	Selection Chart	Performance Curve	Pump Dimensions	Sectional View
JEU806- <sup>3</sup> / <sub>4</sub> HP JEU1506-1 <sup>1</sup> / <sub>2</sub> HP	502	503	504	505	506



Model JEU

EBARA Stainless Steel Self Priming Jet Pumps

## Model Designation



**Model JEU**
**EBARA Stainless Steel Self Priming Jet Pumps**
**Specifications**

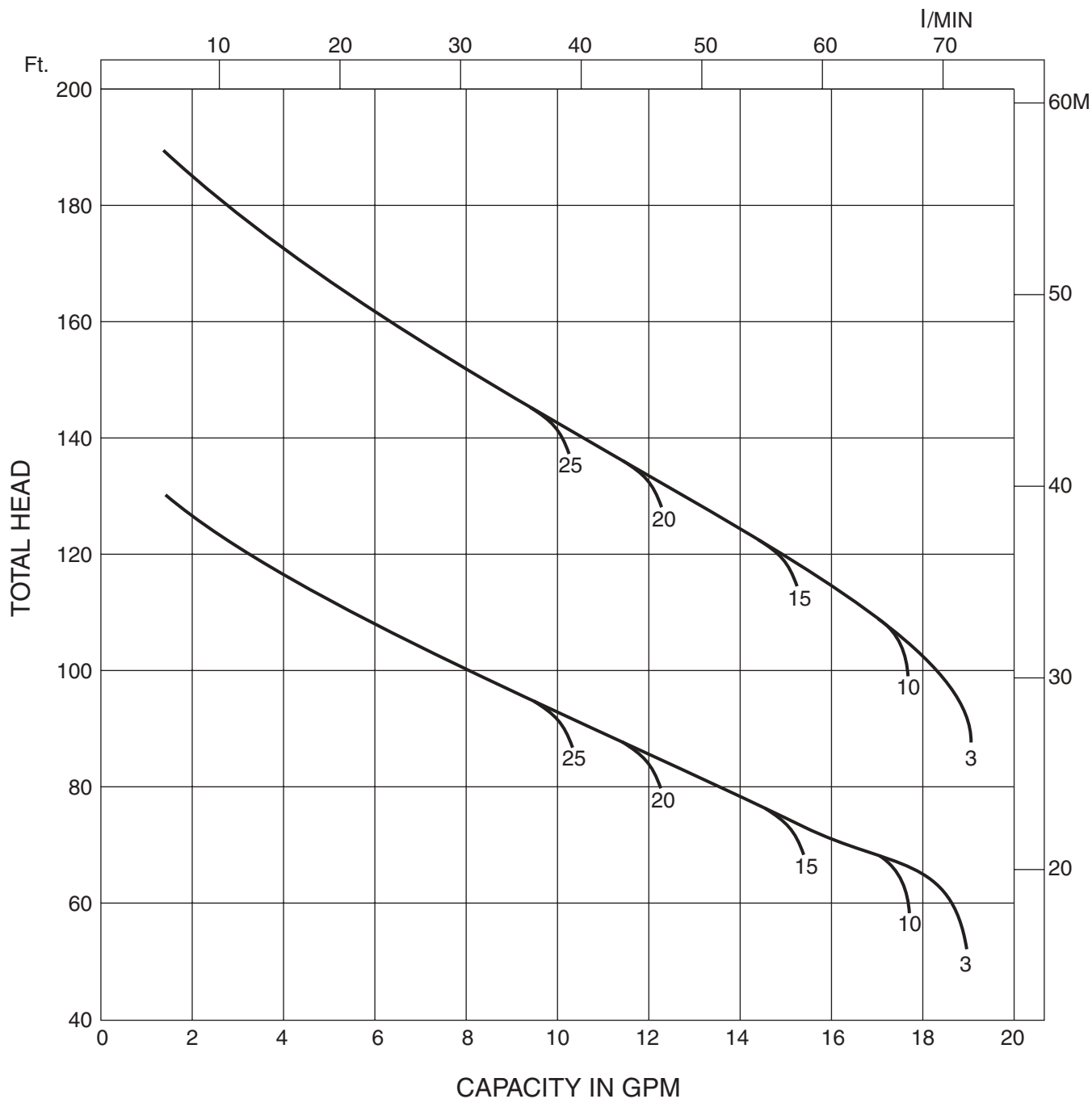
	Standard	Optional
<b>Size</b> Suction Discharge	1 1/4" NPT thread 1" NPT thread	
<b>Range of HP</b>	3/4 HP to 2HP	
<b>Range of Performance</b> Capacity Head	1.5 to 18.5 GPM at 3450 RPM 63 to 190 Feet at 3450 RPM	
<b>Liquid handled</b> Type of liquid Temperature Suction Lift Maximum working pressure	Clean water Maximum: 113°F (45°C) Maximum 25 Ft. at 68°F (20°C) 125 PSI (9 Bar)	
<b>Materials</b> Casing Impeller (closed type) Shaft Ejector Diffuser Bracket Shaft Seal Bearing	304L Stainless Steel 304L Stainless Steel Stainless Steel Noryl plus 20% Fiberglass Noryl plus 20% Fiberglass Aluminum Mechanical Seal – Type 21 Ball Bearing	
<b>Direction of Rotation</b>	Clockwise when viewed from motor end	
<b>Motor</b> Type Speed Single Phase  Three Phase  Motor Protection	NEMA 56J Frame 60 Hz, 3450 RPM (2 poles) TEFC – 1 HP and 2 HP ODP – 3/4 HP and 1 1/2 HP, 115/230V  TEFC – 1 HP and 2 HP ODP – 3/4 HP and 1 1/2 HP, 208-230/460V Built-in overload protection (single phase)	



**Model JEU  
Selection Chart**

**EBARA Stainless Steel Self Priming Jet Pumps**

**60 Hz Synchronous Speed: 3450 RPM**



NOTE: Figures in selection chart indicate suction lift (Ft.).

## Model JEU

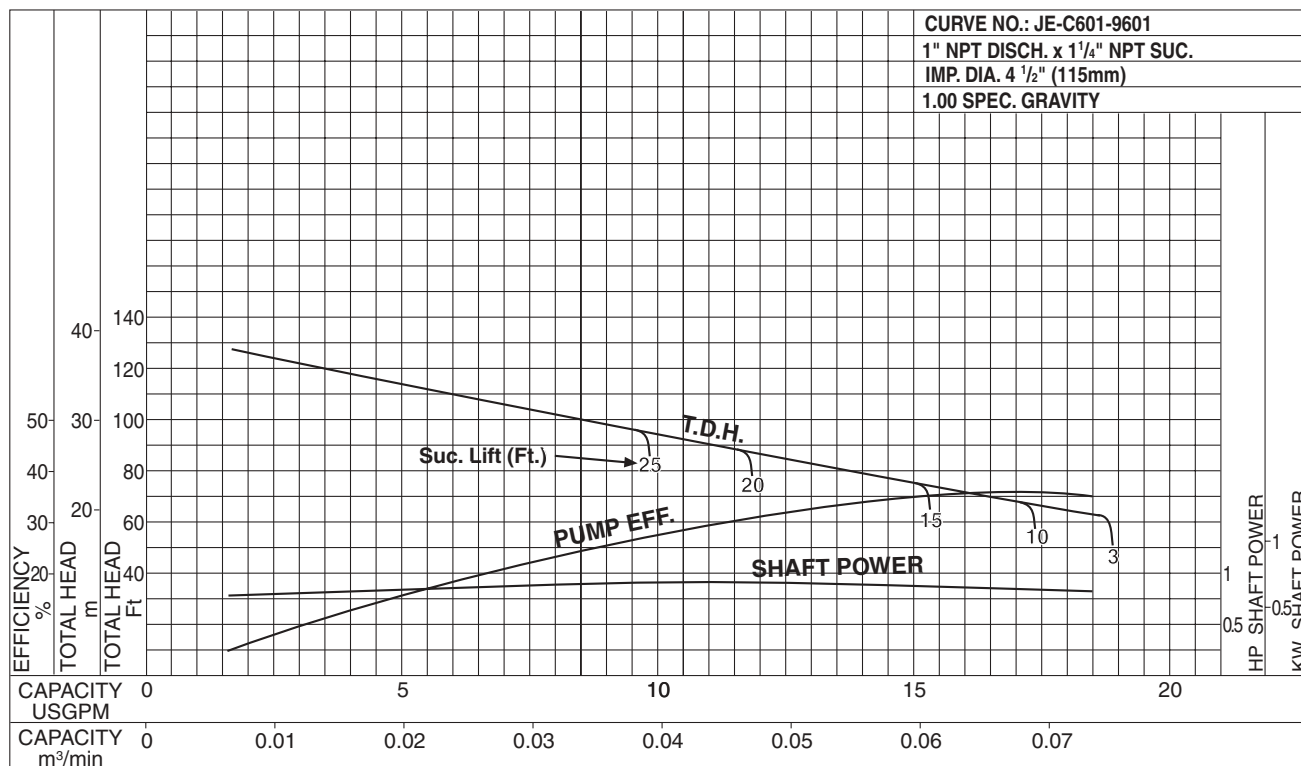
## EBARA Stainless Steel Self Priming Jet Pumps

### Performance Curves

**JEU806—<sup>3</sup>/<sub>4</sub> HP**

**Synchronous Speed: 3450 RPM**

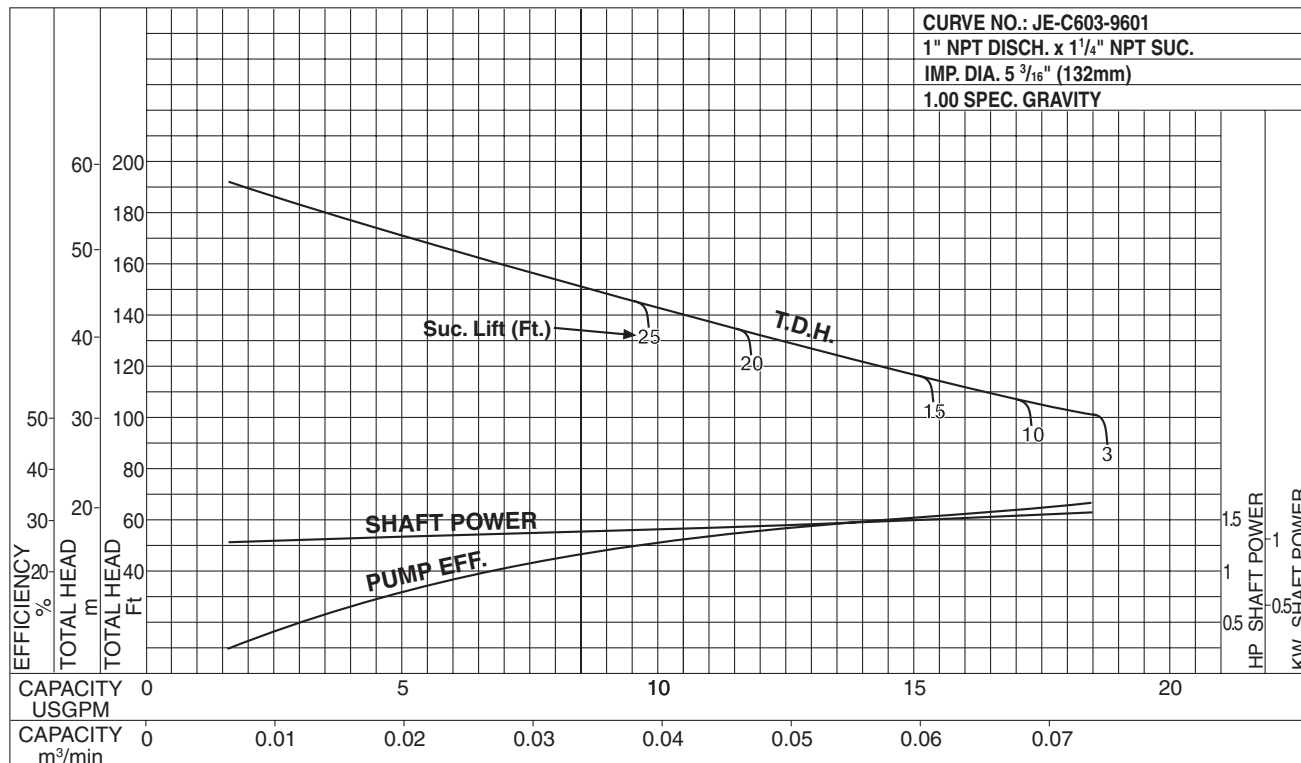
**Size: 1 x 1<sup>1</sup>/<sub>4</sub> x 4<sup>1</sup>/<sub>2</sub>**



**JEU1506—1<sup>1</sup>/<sub>2</sub> HP**

**Synchronous Speed: 3450 RPM**

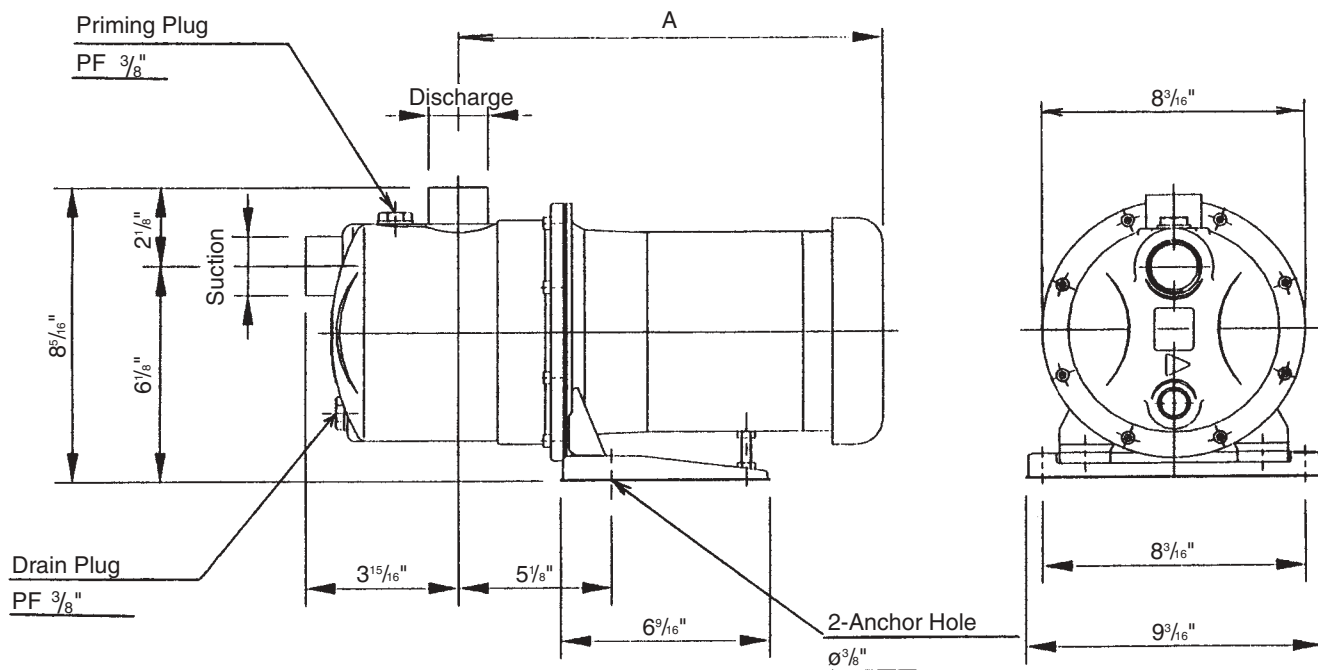
**Size: 1 x 1<sup>1</sup>/<sub>4</sub> x 5<sup>3</sup>/<sub>16</sub>**



## Model JEU

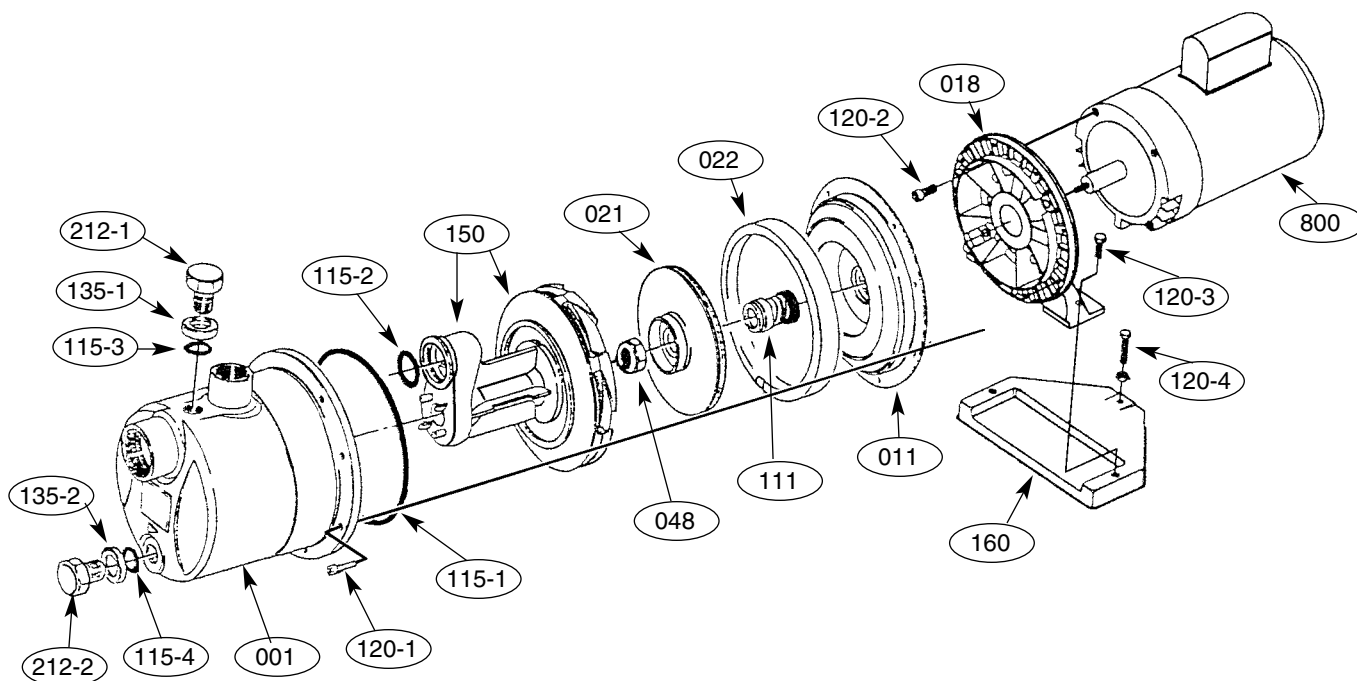
## EBARA Stainless Steel Self Priming Jet Pumps

### Dimensions



Model	Size	Pump Size-NPT (inch)		Dimension (inch)	Unit Weight (lbs.)			
		Suction	Discharge	A	Single Phase		Three Phase	
					ODP	TEFC	ODP	TEFC
JEU806-3/4HP	1×1 1/4×4 1/2	1 1/4	1	15 5/8 Max.	37	41	39	43
JEU1506-1 1/2HP	1×1 1/4×5 3/16	1 1/4	1	19 1/8 Max.	42	46	44	48





Part No.	Part Name	Material	No. for 1 Unit
001	Casing	304L Stainless	1
011	Casing cover	304L Stainless	1
018	Bracket	Aluminum	1
021	Impeller	304L Stainless	1
022	Guide vane	Noryl GFNZ	1
048	Impeller nut	304L Stainless	1
111	Mechanical seal	-	1 set
115-1	O-Ring	Viton	1
115-2	O-Ring	Viton	1
115-3	O-Ring	Viton	1
115-4	O-Ring	Viton	1
120-1	Bolt	304L Stainless	8
120-2	Bolt	304L Stainless	4
120-3	Bolt	304L Stainless	2
120-4	Bolt	304L Stainless	1
135-1	Washer	304L Stainless	1
135-2	Washer	304L Stainless	1
150	Diffuser & Venturi Tube	Noryl GFNZ	1
160	Base	Steel	1
212-1	Plug	304L Stainless	1
212-2	Plug	304L Stainless	1
800	Motor	NEMA 56J Frame	1