

Contents

Model

LS50
LM65

Section	Page
Specifications	1-190
Outline Drawings	1-191
Sectional View	1-193



Specifications

Project:

Model:

Chk'd:

Date:

**Quick Discharge Connector
DSU, DSHU, DVSU, DVSHU****A. General:**

The guide rail system design shall be such that the pump will be automatically connected to the discharge piping when lowered into place on the discharge connection. The pump shall be easily removable for inspection or service, requiring no bolts, nuts, or other fasteners to be disconnected, or the need for personnel to enter the wet well.

B. Guide Rail system:

Design shall include two (2) 304SS schedule 40 guide rails that are sized to mount directly to the quick discharge connector, QDC, at the floor of the wetwell and to a guide rail bracket at the top of the wetwell below the hatch opening, (refer to project drawings).

Intermediate guide brackets are recommended for rail lengths over 20 feet. Guide rails are not part of the pump package and shall be supplied by others.

The QDC shall be manufactured of cast iron, ASTM A48 Class 30. It shall be designed to adequately support the guide rails, discharge piping, and pumping unit under both static and dynamic loading conditions with support legs that are suitable for anchoring it to the wetwell floor.

The face of the inlet QDC flange shall be perpendicular to the floor of the wetwell.

The pump design shall include an integral self-aligning sliding bracket.

Sealing of the pumping unit to the QDC shall be accomplished by a single, linear, downward motion of the pump.

The entire weight of the pump unit shall be guided to and wedged tightly against the inlet flange of the QDC, making metal to metal contact with the pump discharge forming a seal without the use of bolts, gaskets or O-rings.

Lifting chain, either galvanized or stainless steel, is suitable for removing and installing the pump unit.



Sectional View

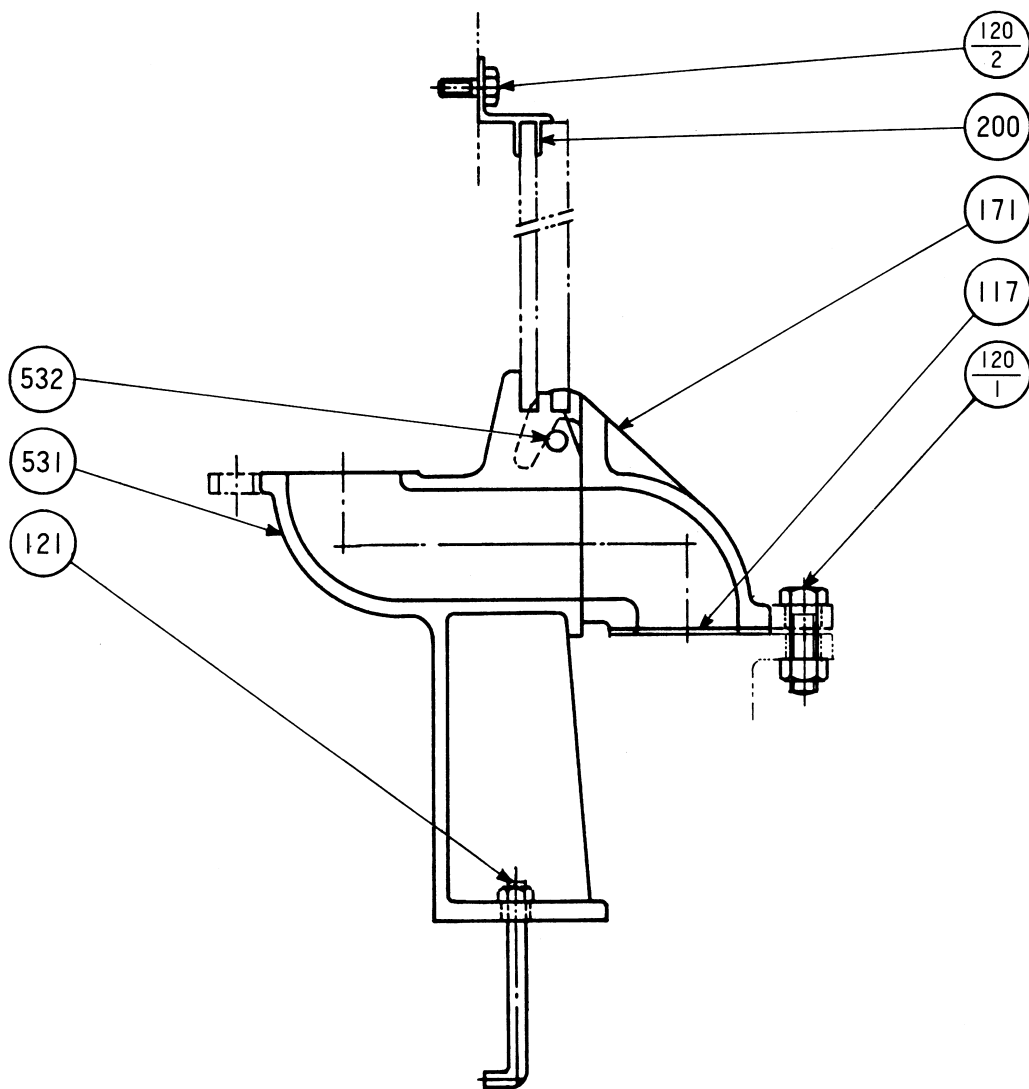
Project:

Model:

Chk'd:

Date:

Model LS50



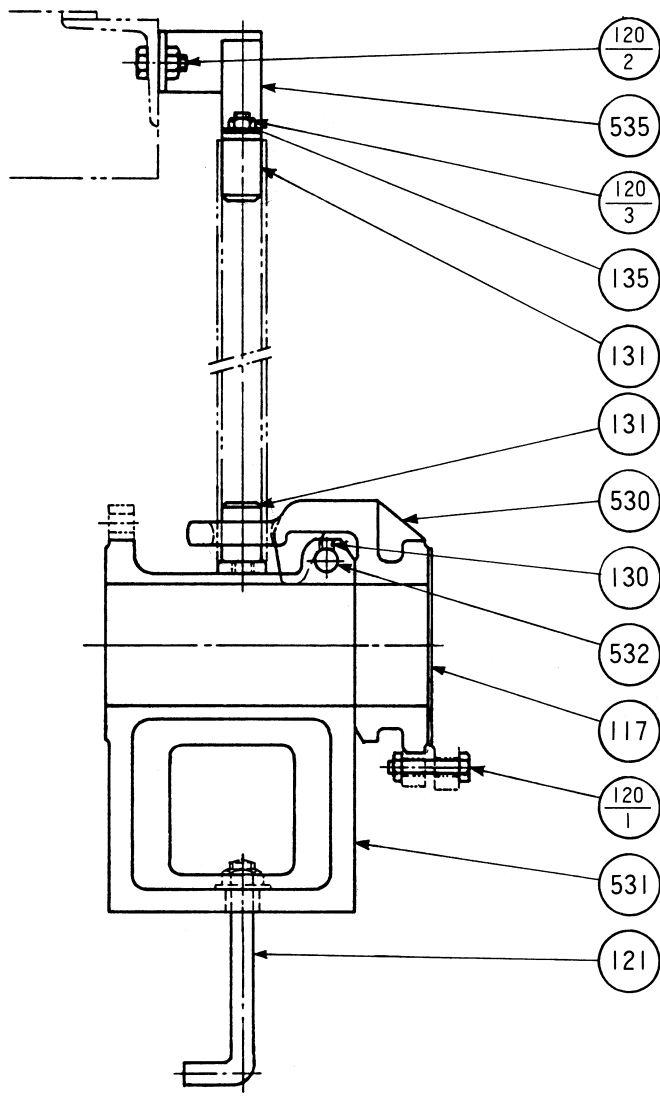
Part No.	Part Name	Material	ASTM, AISI Code	No. for 1 Unit
117	Gasket	Rubber (NBR)		1
120-1	Bolt & Nut	Steel	A283 Grade D	2
120-2	Bolt	Steel	A283 Grade D	2
121	Anchor Bolt	Steel	A283 Grade D	2
171	Connector	Cast Iron	A48 Class 30	1
200	Guide Support	Steel	A 283 Grade D	1
531	Body	Cast Iron	A48 Class 30	1
532	Support Bar	420 Stainless	AISI 420	1



Sectional View

Project: _____ Model: _____ Chk'd: _____ Date: _____

Model LM65



Part No.	Part Name	Material	ASTM, AISI Code	No. for 1 Unit
117	Gasket			1
120-1	Bolt & Nut	304 Stainless	AISI 304	4
120-2	Bolt & Nut	304 Stainless	AISI 304	2
120-3	Nut	304 Stainless	AISI 304	2
121	Anchor Bolt	Steel	A283 Grade D	2
130	Set Screw	304 Stainless	AISI 304	1
131	Guide Pin	Steel	A283 Grade D	4
135	Washer	304 Stainless	AISI 403	2
530	Connector	Cast Iron	A48 Class 30	1
531	Body	Cast Iron	A48 Class 30	1
532	Support Bar	420 Stainless	AISI 420	1
535	Guide Support Plate	Steel	A283 Grade D	1