

# Contactator® & Recharger®

## Plastic Chambers for Residential Drainage



CULTEC chambers are used in residential applications to control roof drain run-off from impervious areas. The chambers collect and store rainwater underground collected from roof leaders, downspouts, and/or catch basins, until the soil is able to accept it back into the ground. CULTEC chambers are lightweight and their low profiles and high volume capacities make them ideal to install in tight areas. Puddles and saturated soil are eliminated as water is diverted into the chamber(s) and recharged into the ground.

### CULTEC Plastic Chambers

- Control stormwater run-off from gutters and driveway
- Help eliminate ponding
- Operate as septic leachfield systems
- Contain pool backwash
- Act as drywells



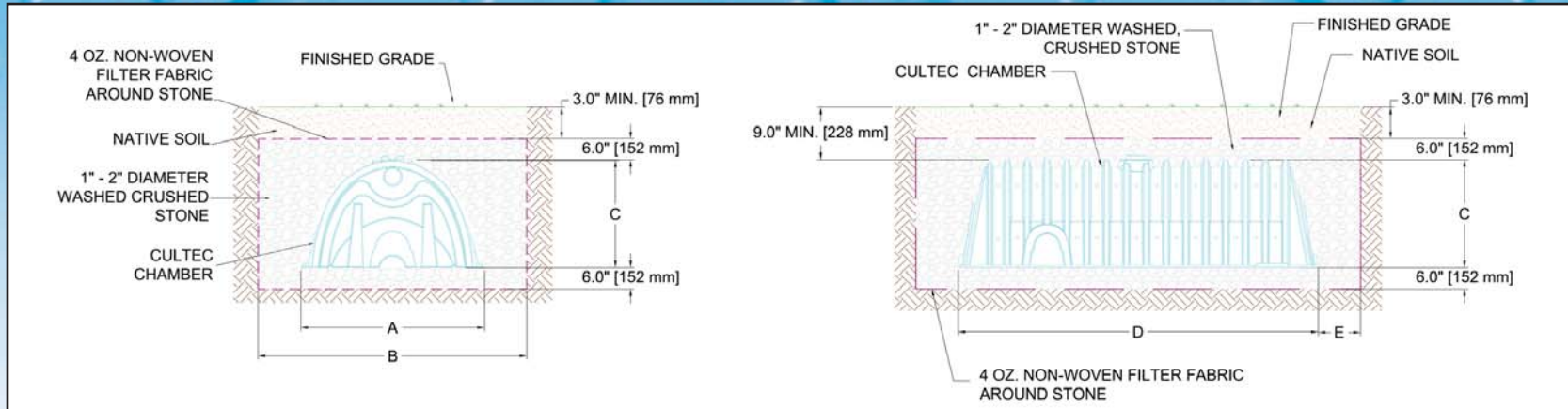
### System Benefits

- No separate end plates
- Large storage capacity in low profile
- Corrugated arch design for structural integrity
- Install as a single unit or in a group
- Quick and easy overlapping rib-lock connection
- Corrugated arch design for structural integrity



# Contactor® & Recharger®

## Plastic Chambers as a Single Drywell



Model	A	B	C	D	E	Chamber Volume	Storage Provided per Installed Unit	Stone Req. per Unit
	Chamber Width	Trench Width	Chamber Height	Chamber Length	Min. Distance on Endwall			
Contactor 100HD	36"	40"	12.5"	8'	2"	1.866 ft <sup>3</sup> /ft	13.96 gal/ft	30.73 ft <sup>3</sup>
	914 mm	1016 mm	318 mm	2.44 m	51 mm	0.173 m <sup>3</sup> /m	173.36 l/m	0.87 m <sup>3</sup>
Recharger 150HD	33"	39"	18.5"	8.5'	3"	2.650 ft <sup>3</sup> /ft	19.82 gal/ft	41.60 ft <sup>3</sup>
	838 mm	991 mm	470 mm	2.59 m	76 mm	0.246 m <sup>3</sup> /m	246.12 l/m	1.2 m <sup>3</sup>
Recharger 280HD	47"	52"	26.5"	8'	2.5"	6.079 ft <sup>3</sup> /ft	45.48 gal/ft	73.67 ft <sup>3</sup>
	1194 mm	1321 mm	673 mm	2.44 m	64 mm	0.565 m <sup>3</sup> /m	564.77 l/m	2.1 m <sup>3</sup>
Recharger 330XLHD	52"	58"	30.5"	8.5'	3"	7.459 ft <sup>3</sup> /ft	55.80 gal/ft	96.24 ft <sup>3</sup>
	1321 mm	1473 mm	775 mm	2.59 m	76 mm	0.693 m <sup>3</sup> /m	692.92 l/m	2.7 m <sup>3</sup>

### Calculations

Total Impervious Area ft<sup>2</sup> (m<sup>2</sup>) x Determined Rainfall Event ft (m)<sup>1</sup> = Required Storage Volume ft<sup>3</sup> (m<sup>3</sup>)

Required Storage Volume ft<sup>3</sup> (m<sup>3</sup>) / Storage Provided per Unit ft<sup>3</sup> (m<sup>3</sup>) = Number of CULTEC Chambers Required

#### Example:

Given: 1000 SF impervious area, Determined Rainfall Event = 3 inches (0.25')  
 1000 SF x 0.25' = 250 ft<sup>3</sup> storage required

250 ft<sup>3</sup> / 96.24 ft<sup>3</sup> for Recharger 330XLHD = 2.59 chambers required,  
 Round up to 3 units.

<sup>1</sup>A design engineer or local building code official typically determines the percentage of stormwater detention required. Check with your local code when sizing stormwater systems. All calculations are based on one single installed "R" model. Values will differ for multiple interlocked units. Contact CULTEC for assistance.

CULTEC, Inc.

878 Federal Road • P.O. Box 280 • Brookfield, CT 06804

Phone: 203-775-4416 • Toll Free: 800-4-CULTEC • Fax: 203-775-1462 • Web: www.cultec.com

