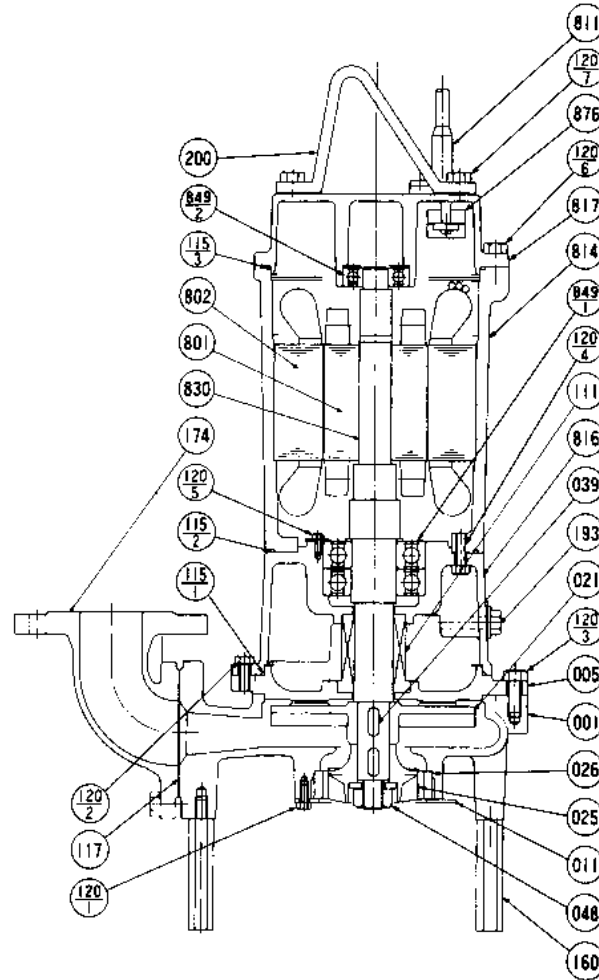


### Sectional View

### Single Phase

### 32CGUI



| PART NO. | PART NAME           | MATERIAL                 | ASTM, AISI CODE | NO. FOR 1 UNIT | PART NO. | PART NAME         | MATERIAL      | ASTM, AISI CODE | NO. FOR 1 UNIT |
|----------|---------------------|--------------------------|-----------------|----------------|----------|-------------------|---------------|-----------------|----------------|
| 001      | CASING              | CAST IRON                | A48 Class 30    | 1              | 120-5    | BOLT              | 304 STAINLESS | AISI304         | 2              |
| 005      | INTERMEDIATE CASING | CAST IRON                | A48 Class 30    | 1              | 120-6    | BOLT              | 304 STAINLESS | AISI304         | 4              |
| 011      | DISK COVER          | 304 STAINLESS            | AISI304         | 1              | 120-7    | BOLT              | 304 STAINLESS | AISI304         | 2              |
| †021     | IMPELLER            | CAST IRON                | A48 Class 30    | 1              | 160      | PUMP STAND        | STEEL         | A283 Grade D    | 3              |
| †025     | GRINDER IMPELLER    | CHROME ALLOYED CAST IRON |                 | 1              | 174      | DISCHARGE ELBOW   | CAST IRON     | A48 Class 30    | 1              |
| †026     | CUTTER RING         | CHROME ALLOYED CAST IRON |                 | 1              | 193      | OIL PLUG          | 304 STAINLESS | AISI304         | 1              |
| 039      | KEY                 | 420 STAINLESS            | AISI420         | 2              | 200      | LIFTING HANGER    | STEEL         | A283 Grade D    | 1              |
| 048      | IMPELLER NUT        | 304 STAINLESS            | AISI304         | 1              | 801      | ROTOR             | —             |                 | 1              |
| †111     | MECHANICAL SEAL     | —                        |                 | 1 SET          | 802      | STATOR            | —             |                 | 1              |
| †115-1   | O-RING              | RUBBER (NBR)             |                 | 1              | †811     | SUBMERSIBLE CABLE | —             |                 | 1              |
| †115-2   | O-RING              | RUBBER (NBR)             |                 | 1              | 814      | MOTOR FRAME       | CAST IRON     | A48 Class 30    | 1              |
| †115-3   | O-RING              | RUBBER (NBR)             |                 | 1              | 816      | BRACKET           | CAST IRON     | A48 Class 30    | 1              |
| †117     | GASKET              |                          |                 | 1              | 817      | BRACKET           | CAST IRON     | A48 Class 30    | 1              |
| 120-1    | BOLT                | 304 STAINLESS            | AISI304         | 4              | 830      | SHAFT             | 403 STAINLESS | AISI403         | 1              |
| 120-2    | BOLT                | 304 STAINLESS            | AISI304         | 4              | †849-1   | BALL BEARING      | —             |                 | 1              |
| 120-3    | BOLT                | 304 STAINLESS            | AISI304         | 4              | †849-2   | BALL BEARING      | —             |                 | 1              |
| 120-4    | BOLT                | 304 STAINLESS            | AISI304         | 4              | 876      | MOTOR PROTECTOR   | —             |                 | 1              |

Motors are purchased as a complete unit

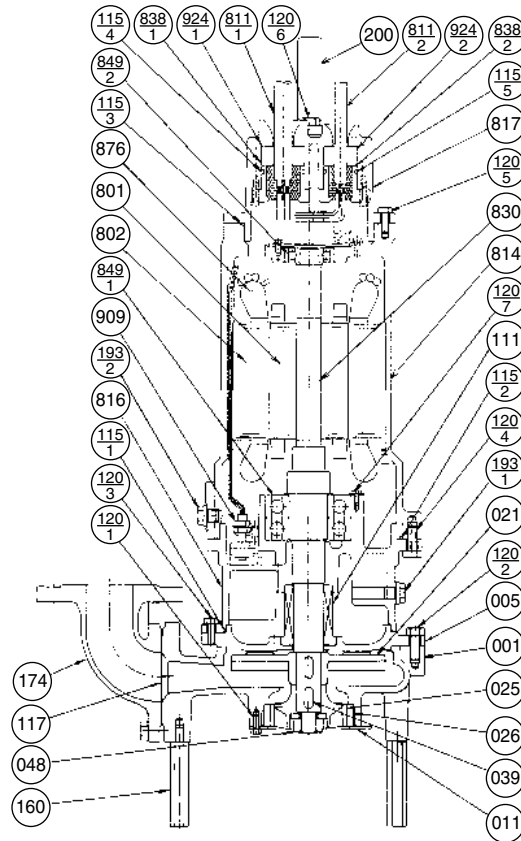
†: Recommended spare parts

### Sectional View

### Single and Three Phase

32CGFU, 2HP

50CGFU 3 to 5HP



| PART NO. | PART NAME           | MATERIAL                 | ASTM, AISI CODE | NO. FOR 1 UNIT | PART NO. | PART NAME        | MATERIAL      | ASTM, AISI CODE | NO. FOR 1 UNIT |
|----------|---------------------|--------------------------|-----------------|----------------|----------|------------------|---------------|-----------------|----------------|
| 001      | CASING              | CAST IRON                | A48 Class 30    | 1              | 160      | PUMP STAND       | STEEL         | A283 Grade D    | 3              |
| 005      | INTERMEDIATE CASING | CAST IRON                | A48 Class 30    | 1              | 174      | DISCHARGE ELBOW  | CAST IRON     | A48 Class 30    | 1              |
| 011      | DISK COVER          | 304 STAINLESS            | AISI304         | 1              | 193-1    | PLUG             | 304 STAINLESS | AISI304         | 1              |
| †021     | IMPELLER            | CAST IRON                | A48 Class 30    | 1              | 193-2    | PLUG             | 304 STAINLESS | AISI304         | 1              |
| †025     | GRINDER IMPELLER    | CHROME ALLOYED CAST IRON |                 | 1              | 200      | LIFTING HANGER   | STEEL         | A283 Grade D    | 1              |
| †026     | CUTTER RING         | CHROME ALLOYED CAST IRON |                 | 1              | 801      | ROTOR            | —             |                 | 1              |
| 039      | KEY                 | 420 STAINLESS            | AISI420         | 2              | 802      | STATOR           | —             |                 | 1              |
| 048      | IMPELLER NUT        | 304 STAINLESS            | AISI304         | 1              | 811-1    | POWER CABLE      | —             |                 | 1              |
| †111     | MECHANICAL SEAL     | —                        |                 | 1 SET          | 811-2    | CONTROL CABLE    | —             |                 | 1              |
| †115-1   | O-RING              | RUBBER (NBR)             |                 | 1              | 814      | MOTOR FRAME      | CAST IRON     | A48 Class 30    | 1              |
| †115-2   | O-RING              | RUBBER (NBR)             |                 | 1              | 816      | BRACKET          | CAST IRON     | A48 Class 30    | 1              |
| †115-3   | O-RING              | RUBBER (NBR)             |                 | 1              | 817      | BRACKET          | CAST IRON     | A48 Class 30    | 1              |
| †115-4   | O-RING              | RUBBER (NBR)             |                 | 1              | 830      | SHAFT            | 403 STAINLESS | AISI403         | 1              |
| †115-5   | O-RING              | RUBBER (NBR)             |                 | 1              | 838-1    | WASHER           | 304 STAINLESS | AISI304         | 1              |
| †117     | GASKET              |                          |                 | 1              | 838-2    | WASHER           | 304 STAINLESS | AISI304         | 1              |
| 120-1    | BOLT                | 304 STAINLESS            | AISI304         | 4              | †849-1   | BALL BEARING     | —             |                 | 1 SET          |
| 120-2    | BOLT                | 304 STAINLESS            | AISI304         | 4              | †849-2   | BALL BEARING     | —             |                 | 1              |
| 120-3    | BOLT                | 304 STAINLESS            | AISI304         | 4              | 876      | MOTOR PROTECTOR  | —             |                 | 3              |
| 120-4    | BOLT                | 304 STAINLESS            | AISI304         | 4              | 909      | LEAKAGE DETECTOR | —             |                 | 1              |
| 120-5    | BOLT                | 304 STAINLESS            | AISI304         | 4              | 924-1    | PACKING          | RUBBER (NBR)  |                 | 1              |
| 120-6    | BOLT                | 304 STAINLESS            | AISI304         | 2              | 924-2    | PACKING          | RUBBER (NBR)  |                 | 1              |
| 120-7    | BOLT                | 304 STAINLESS            | AISI304         | 3              |          |                  |               |                 |                |

Motors are purchased as a complete unit  
 †: Recommended spare parts