

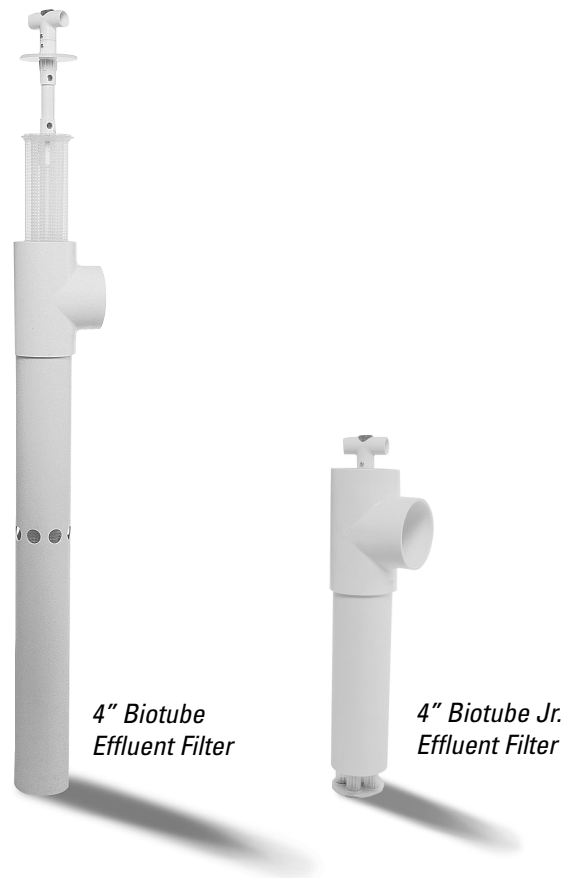


Oreco Systems<sup>®</sup>  
Incorporated  
1-800-348-9843

# 4" Biotube<sup>®</sup> Effluent Filter

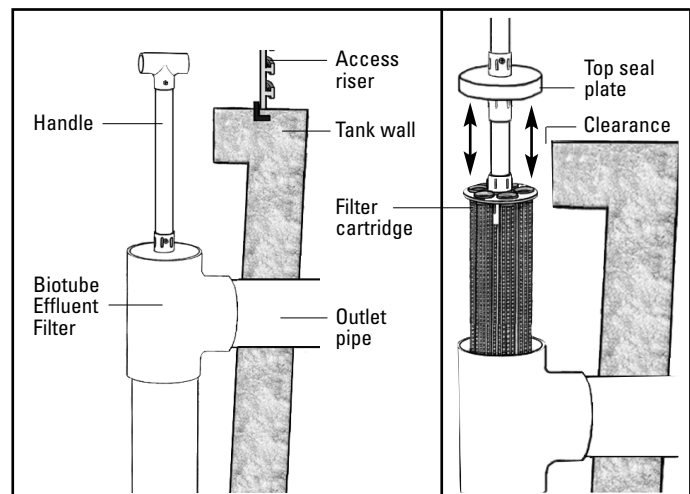
## Installation and Maintenance Instructions

Biotube Effluent Filters\* extend drainfield life by preventing solids from leaving the septic tank. Our 4" filter comes in its own housing, in both 36" and 28" lengths. Our 4" Jr. insert filter comes with or without its own housing. Biotube Effluent Filters install in minutes, inside new or existing tanks.



### Step 1: Test-Fit the Effluent Filter

Test-fit the effluent filter on the septic tank's outlet pipe without gluing. Make sure it fits plumb. Install assembly as snug as possible to the tank wall, but ensure sufficient clearance for removing filter cartridge.



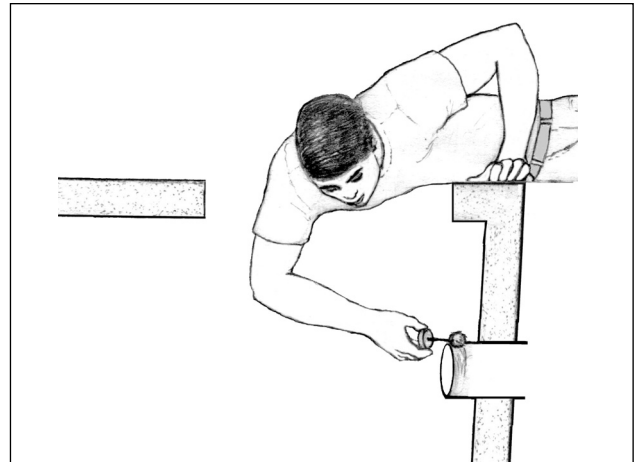
*The Biotube Effluent Filter, with its housing, is suspended in the septic tank, supported by the 4" outlet pipe.*

# Installation Instructions (continued)

## Step 2: Attaching Filter to Tank

Two attachment methods can be used:

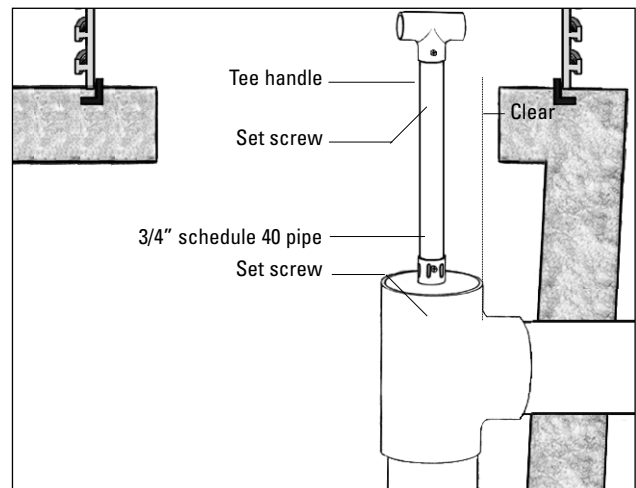
- 1) Glue the filter onto the tank outlet pipe using appropriate primer and glue.
- 2) A stainless steel set screw can be used to secure the filter instead of glue.



*This illustration shows the gluing technique for installing a filter into a new septic tank. Installing a filter into an existing tank is a custom, site-specific job.*

## Step 3: Extending Cartridge Handle

For easier access when servicing, the cartridge handle may be extended using a longer length of 3/4" schedule 40 PVC pipe.



*Cartridge handles can be extended for easier access.*

# Maintenance Instructions

## 4" Biotube<sup>®</sup> Effluent Filter

### How to Clean Your Effluent Filter

To ensure your effluent filter is functioning properly, it should be inspected every year. Under normal conditions, your effluent filter will function for several years before cleaning is necessary. The filter should be cleaned when it becomes clogged enough to restrict normal flows out of the septic tank. At a minimum, the filter should be cleaned whenever the tank is pumped.

Most people prefer to have a septic tank service provider take care of filter maintenance and cleaning. You can find a septic tank service provider in the Yellow Pages, under "Septic Tanks & Systems." Or you can contact your county health department for a list.

If you wish to inspect and/or clean your effluent filter yourself, be sure to dress properly. Wear full-length pants and shirt, shoes, gloves, and goggles or glasses. Then follow these instructions:

1. Remove the access lid to your septic tank by unscrewing the stainless steel lid bolts with hex head wrench provided. If your lid is above ground, it will be easy to find. If it is buried below ground, find the marker that indicates its location.
2. Remove the filter cartridge by grasping the tee handle and lifting it out of its housing (*see photo 1*).
3. Spray the cartridge tubes with a hose to remove any material sticking to them (*see photo 2*). Ensure the three orifices in the optional flow modulation plate inside the filter are clear of any debris. Make sure the rinse water runs back into the tank, but do not allow solids material to fall into the open filter housing.
4. Firmly place the cartridge back into the housing.
5. Some effluent filters come with an alarm that activates when the filter needs cleaning. If you have an alarm, check to make sure it is working by lifting the float with a stick. An audible horn should sound. The alarm panel is normally mounted on the side of the house or in the garage.

**Note:** If your effluent filter doesn't have an alarm system and you would like one, call your local septic system installer.

6. Record the date that you inspected and/or cleaned your filter on the form that follows. If you checked the alarm or made any other observations about the tank or system, include that information under "Notes."
7. Attach access lid by placing it on the riser, matching the openings in the lid with the bolt catches. Insert lid bolts into catches and tighten with hex head wrench provided.



**Photo 1.** Remove the filter cartridge by lifting it out of its housing.



**Photo 2.** Spray the cartridge tubes with a hose.

