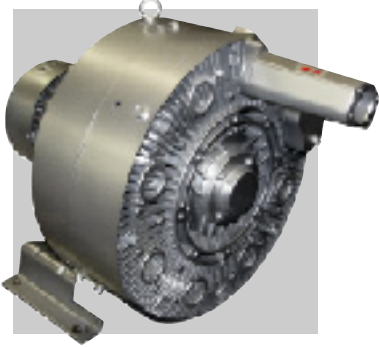
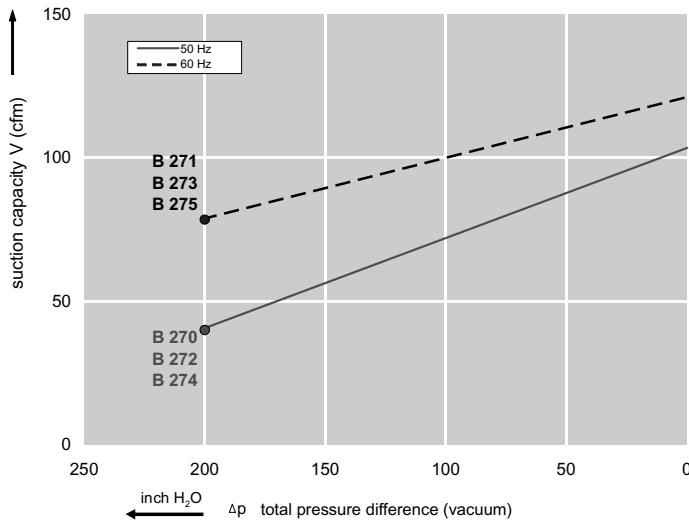


### Features:

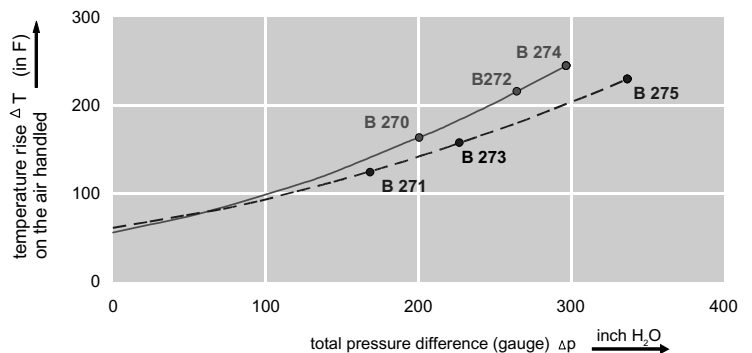
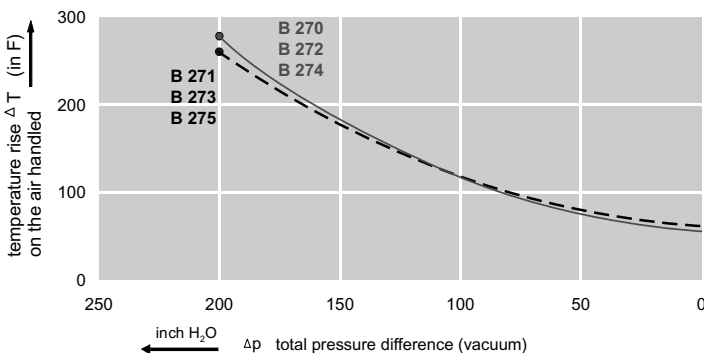
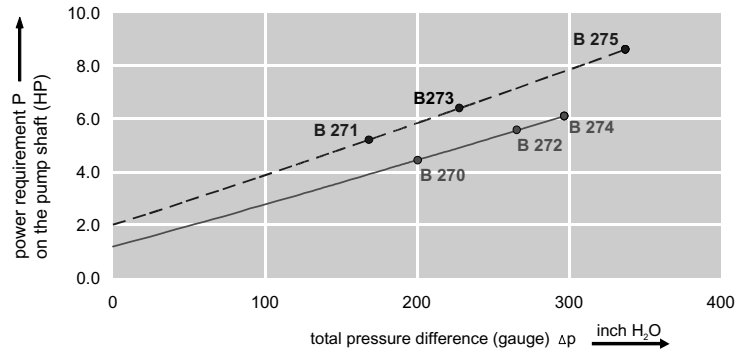
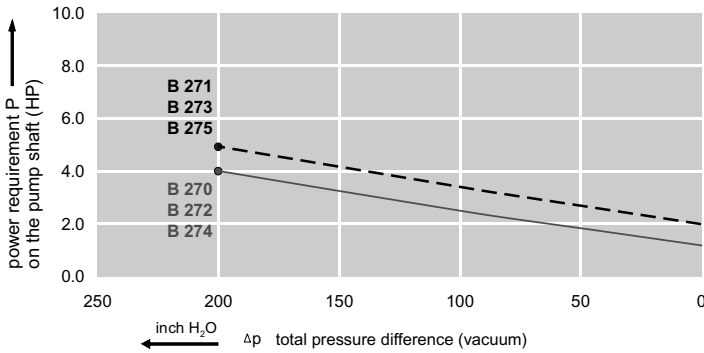
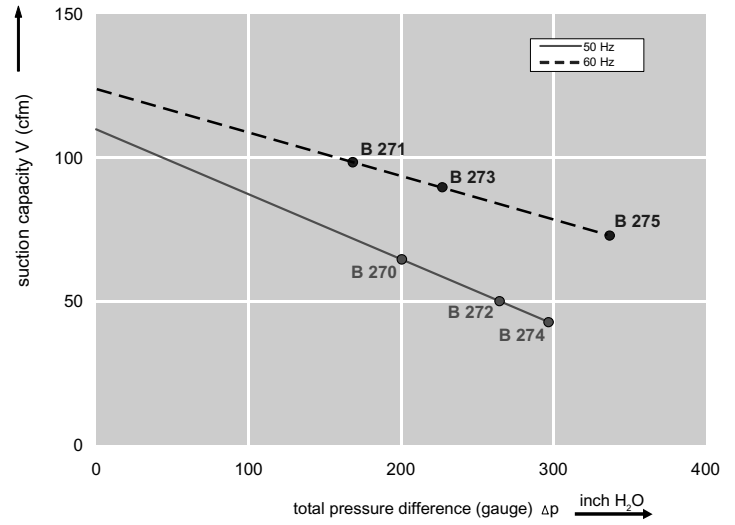


- Cooler running, outboard bearing provides maintenance-free operation
- Environmentally friendly oil-free technology
- Extremely quiet operation
- All motors are standard TEFC with Class F insulation, UL recognized, CE Compliant  
*Explosion-Proof motors available*
- Custom construction blowers are available
- Rugged die cast aluminum construction

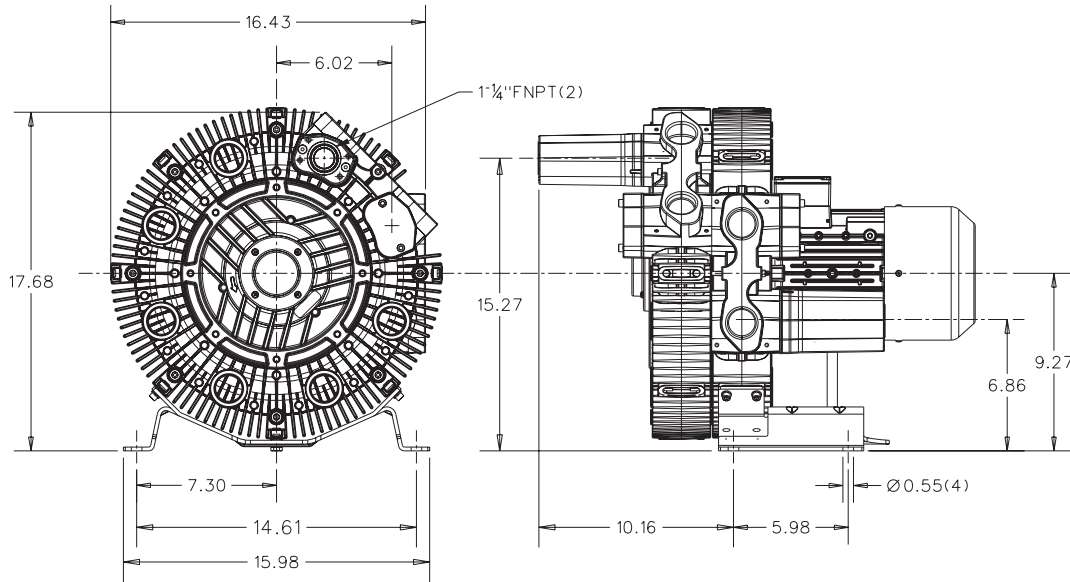
Performance curve for Vacuum pump



Performance curve for Compressor



### Dimensions: (inches)



### Recommended Accessories:

#### Relief valve:

VC51Z (Vacuum)  
PC51Z (Pressure)

#### Filter:

ATF-125-1337  
(Vacuum)  
AF-S20-125-10  
(Pressure)

Specifications subject to change without notice. Please contact factory for specification updates.

### Selection & Ordering Data - Type 3BA7620

Curve No.	Order No.	Fre- quency Hz	Rated power HP	Input voltage		Input current A	Permissible total differential pressure		Sound pressure level dB(A)	Weight lbs	
				V			Vacuum inch H2O	Compressor inch H2O			
<b>3~ 50/60 Hz IP55 insulation material class F</b>											
B 270	3BA7620-0AT36	50	4.42	200D ... 240D	345Y ... 415Y	13.0D	7.5Y	-200	201	67	106
B 271	3BA7620-0AT36	60	5.09	220D ... 250D	415Y ... 460Y	13.5D	7.8Y	-200	169	71	106
B 272	3BA7620-0AT46	50	5.4	200D ... 240D	345Y ... 415Y	15.8D	9.1Y	-200	230	67	129
B 273	3BA7620-0AT46	60	6.2	220D ... 250D	415Y ... 460Y	16.3D	9.5Y	-200	260	71	129
B 274	3BA7620-0AT56	50	7.37	200D ... 240D	345Y ... 415Y	19.9 D	11.5Y	-200	297	68	143
B 275	3BA7620-0AT56	60	8.84	220D ... 250D	415Y ... 460Y	22.5D	12.6Y	-200	337	72	143

Suitable for 208 Volt Operation